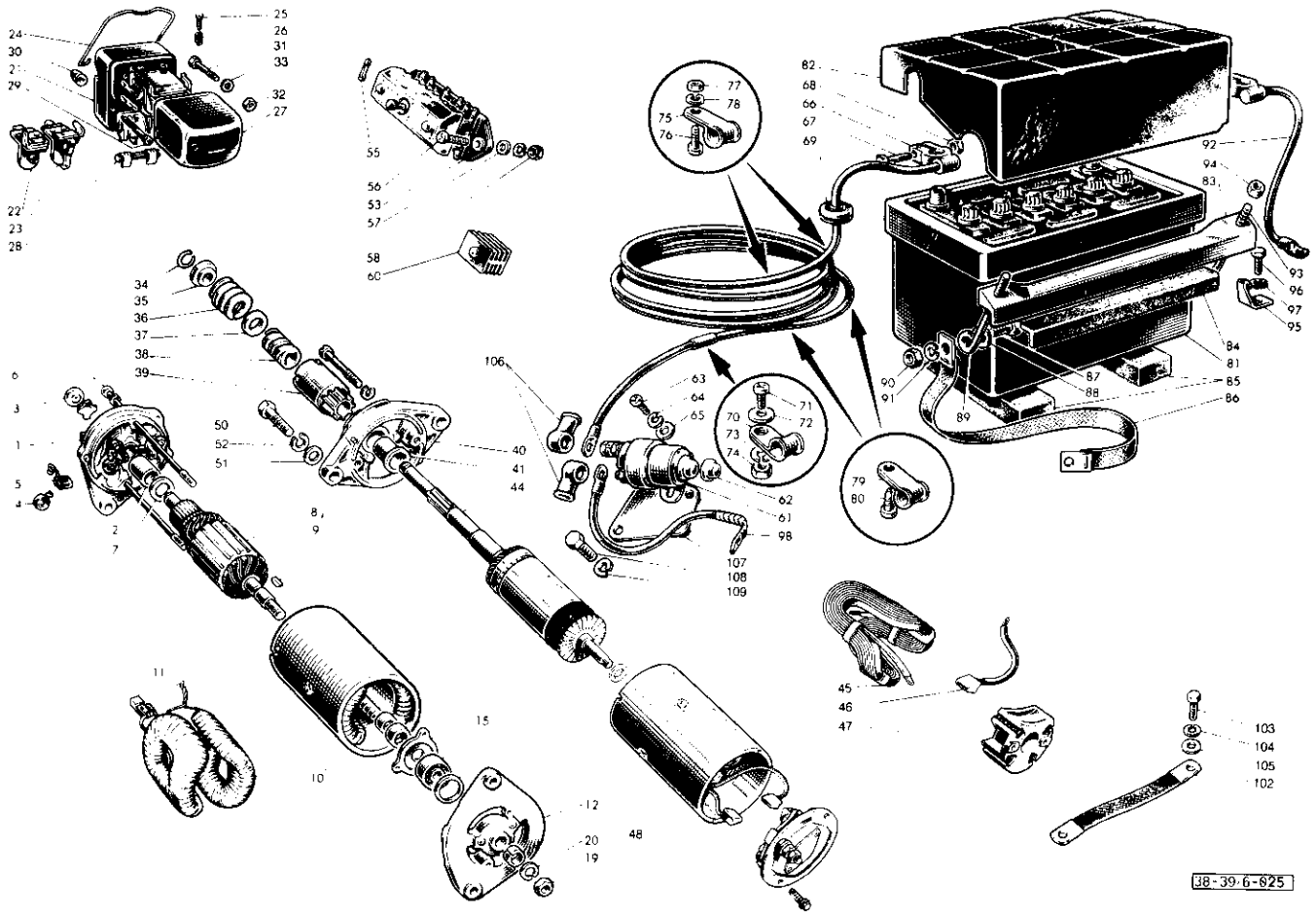
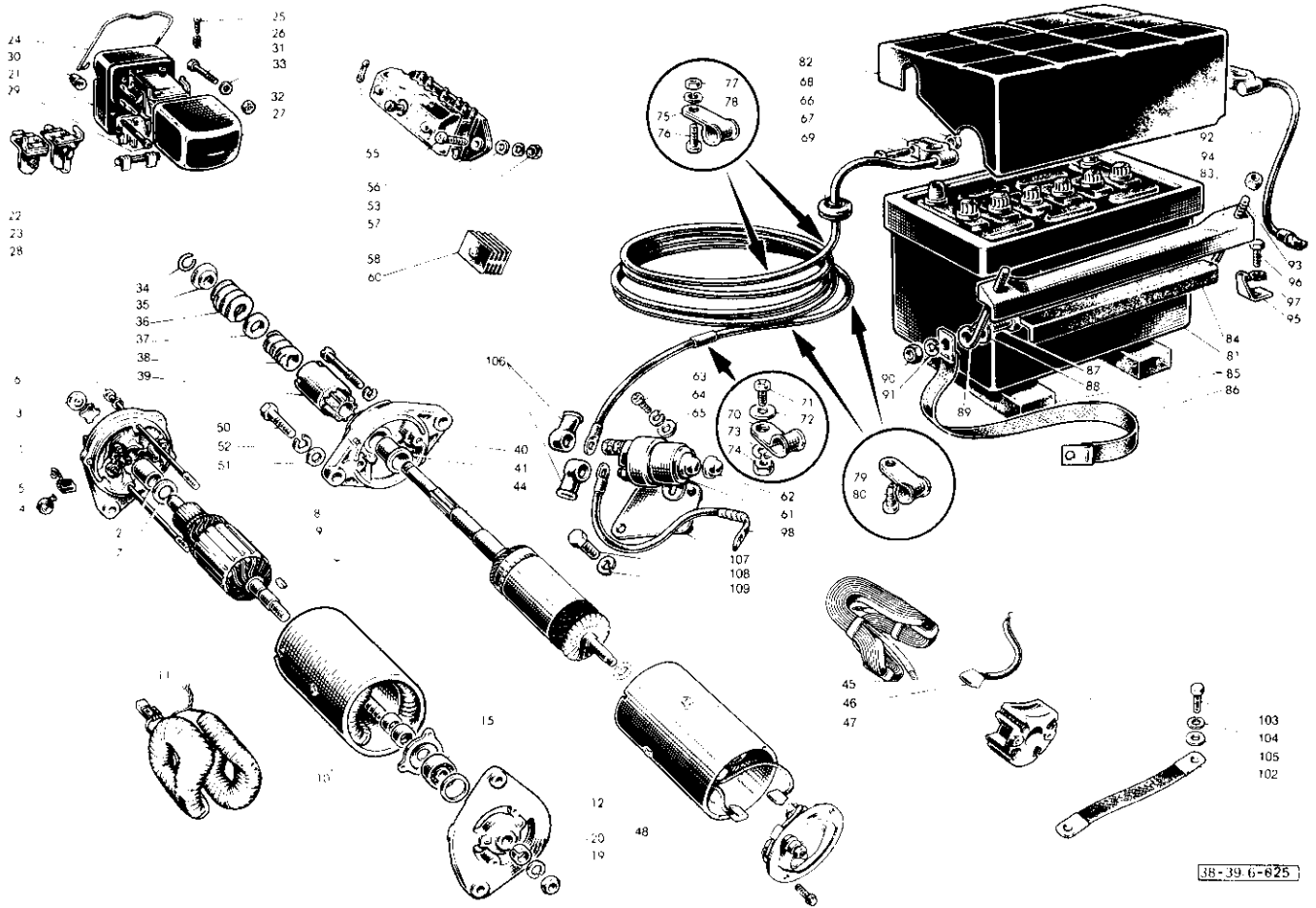


38-39, 6-625

Ill. No.	Part No.	DESCRIPTION	Qty.	Change Point	REMARKS	
		<b>DYNAMO</b>				
	BMK 1241	DYNAMO ASSEMBLY	1		} 1000 & Minimatic	
1	47H 5395	BRACKET-COMMUTATOR END	1			
2	7H 5390	Bushing-bearing	1			
3	47H 5394	Oiler	1			
4	47H 5389	Spring-brush tension	1 set			
5	GGB 102	Brush	1 set			
6	17H 5217	Bolt-through-fixing	2			
7	AXE 727	Washer-commutator end	1			
8	37H 4310	Armature	1			
9	WKN 404	Key-Woodruff	1			
10	37H 6787	Coil-field	1 set			
11	37H 3752	Terminal-Lucar	1			
12	27H 7647	BRACKET-DRIVE END	1			
	37H 6834	Kit-retention	1			
15	97H 626	Bearing-drive end	1			
19	FNZ 207	Nut-shaft	1			
20	LWN 207	Washer-shakeproof	1			
	37H 6836	Sundry parts	1			
21	13H 142	BOX-CONTROL	1			
22	AXE 728	Contact set-regulator	1			
23	57H 5302	Contact set-cut-out	1			
24	AXE 729	Clip-cover	1			
25	AXE 730	Screw	1			
26	AXE 731	Spring-screw	1			
27	7H 5522	Cover (Bakelite)	1			
28	AXE 732	Resistance	1			
29	PTZ 1012	Screw-control box	2			
30	AXE 610	Nut (Nylon)	2			
31	AXE 611	Screw	2			
32	FNZ 103	Nut	1			
33	AXE 618	Washer	1			
						} 1000

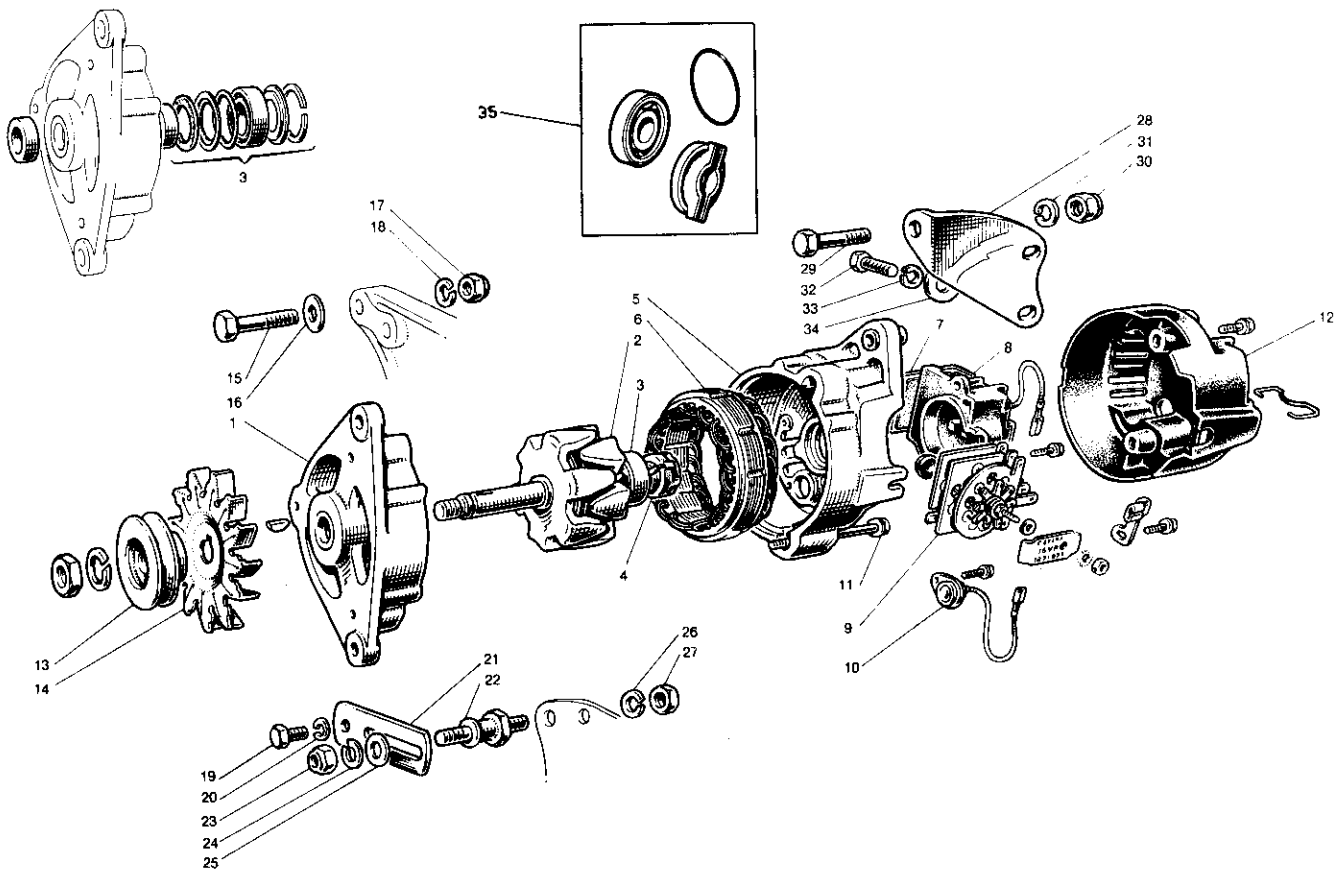


Ill. No.	Part No.	DESCRIPTION	Qty.	Change Point	REMARKS
<b>STARTER AND VOLTAGE REGULATOR</b>					
	13H 5799	STARTER MOTOR	1		
34	AXE 733	Clip—retaining	1		
35	27H 3755	Cup—shaft	1		
36	7H 5045	Main spring—starter	1		
37	7H 6887	Circlip—cap retaining	1		
38	67H 5013	Threaded sleeve	1		
39	67H 5010	Pinion and barrel	1		
40	37H 4676	BRACKET—DRIVE END	1		
41	47H 5346	Bushing—bearing	1		
44	37H 4674	Armature	1		
45	37H 4670	Field—coil	1		
46	GSB 105	Brush set—starter	1		
47	37H 4678	Brush kit	1		
48	37H 4672	Bracket—commutator end	1		
	AXE 734	Kit—sundry parts	1		
50	AXE 469	Bolt—end cover	2		Minimatic
50	ZCS 0610	Bolt	2		1000, 1001 & 1300
	PWZ 306	Washer—plain	2		Minimatic
51	PWZ 106	Washer—plain	2		1000, 1001 & 1300
52	AXE 735	Washer—spring	2		
53	AXE 137	BLOCK ASSEMBLY—FUSE	1		
55	AXE 75	Fuse—8 amp	10		
56	AXE 70	Screw	2		
58	AXE 470	Nut	2		
57	AXE 59	Washer	2		
60	AXE 65	Cover—connection	1		
61	BMK 1727	SOLENOID SWITCH—STARTER	1		
62	27H 5576	Cap—end (rubber)	1		
63	AXE 127	Screw	2		
64	LWZ 303	Washer—spring	2		
65	PWZ 203	Washer—plain	2		
66	AXE 54	CABLE—BATTERY POSITIVE TO STARTER SWITCH	1		
67	AXE 86	Bolt	2		
68	AXE 736	Nut	2		
69	5L 62	Grommet	1		
70	AXE 71	Clip	1		
71	PMZ 0307	Screw	1		
72	PWZ 203	Washer—plain	1		
73	LWZ 203	Washer—spring	1		
74	FNZ 103	Nut	1		
75	AXE 71	Clip	2		
76	PMZ 0307	Screw	2		
77	FNZ 103	Nut	2		
78	LWZ 203	Washer—spring	2		
79	AXE 71	Clip	2		
80	PTZ 1004	Screw	2		



38-39 6-625

Ill. No.	Part No.	DESCRIPTION	Qty.	Change Point	REMARKS
<b>STARTER AND VOLTAGE REGULATOR—continued</b>					
81	NSP	Battery	1		
82	AXE 63	Cover—battery	1		
83	AXE 62	Bar—fixing	1		
84	AXE 58	Packing—clamp	1		
85	AXE 57	Pad—battery drainage	2		
86	AXE 50	Strap—cover	1		
87	SH 604061	Screw—fixing rod	1		
88	PWZ 104	Washer—plain	1		
89	AXE 56	Rod—fixing	1		
90	NH 604041	Nut	1		
91	LWZ 204	Washer—spring	1		
92	AXE 51	Cable—battery—negative to earth	1		
93	AXE 55	Rod—fixing	1		
94	NH 604041	Nut	2		
95	AXE 60	Bracket—cover retaining	1		
96	AXE 68	Screw	1		
97	AXE 69	Washer—spring	1		
98	AXE 52	Cable—starter to solenoid	1		
102	AXE 53	Cable	1		
103	AXE 85	Screw	1		
104	WL 600051	Washer—spring	1		
105	WC 108051	Washer—plain	2		
106	AXE 61	Cap—starter solenoid	3		
107	AXE 126	Bracket	1		
108	ZCS 0505	Screw	2		} 1300
109	LWZ 305	Washer—spring	2		



38-39/6-046

Ill. No.	Part No.	DESCRIPTION	Qty.	Change Point	REMARKS
<b>ALTERNATOR—1001 &amp; 1300</b>					
	AXE 280	ALTERNATOR ASSEMBLY	1		
1	AXE 276	Bracket—drive end	1		
2	37H 4196	ROTOR ASSEMBLY	1		
3	18G 8619	Bearing kit—drive end bracket	1		
4	37H 2250	Slip ring	1		
5	AXE 277	Bracket—slip-ring end	1		
6	37H 2257	Stator	1		
7	37H 6911	Regulator	1		
8	37H 6915	BRUSH-BOX ASSEMBLY	1		
	37H 4199	Brush set (with leaf spring)	1		
9	37H 6913	Rectifier	1		
10	AXE 278	Connection—cover	1		
11	37H 2247	Bolt—through-fixing	3		
12	AXE 737	Cover	1		
35	18G 8620	Bearing kit—S.R.E. bracket	1		
	37H 2258	Sundry parts	1		
13	AXE 279	Pulley	1		
14	12H 2515	Fan—alternator	1		
15	HBZ 0514	Bolt	1		
16	WC 108051	Washer—plain	1		
17	LNZ 205	Nut	1		
18	LWZ 305	Washer—spring	1		
19	ZCS 0505	Screw	1		
20	LWZ 305	Washer—spring	1		
21	12G 2627	Link—dynamo adjusting	1		
22	AEG 182	Pillar—dynamo adjusting link	1		
23	LNZ 206	Nut	1		
24	AXE 735	Washer—spring	1		
25	PWZ 306	Washer—plain	1		
26	AXE 735	Washer—spring	1		
27	FNZ 106	Nut	1		
28	AXE 64	Bracket—rear	1		
29	HZS 0512	Bolt	1		
30	LNZ 205	Nut	1		
31	LWZ 305	Washer—spring	1		
32	HZS 0507	Screw	2		
33	LWZ 305	Washer—spring	2		
34	WC 108051	Washer—plain	2		