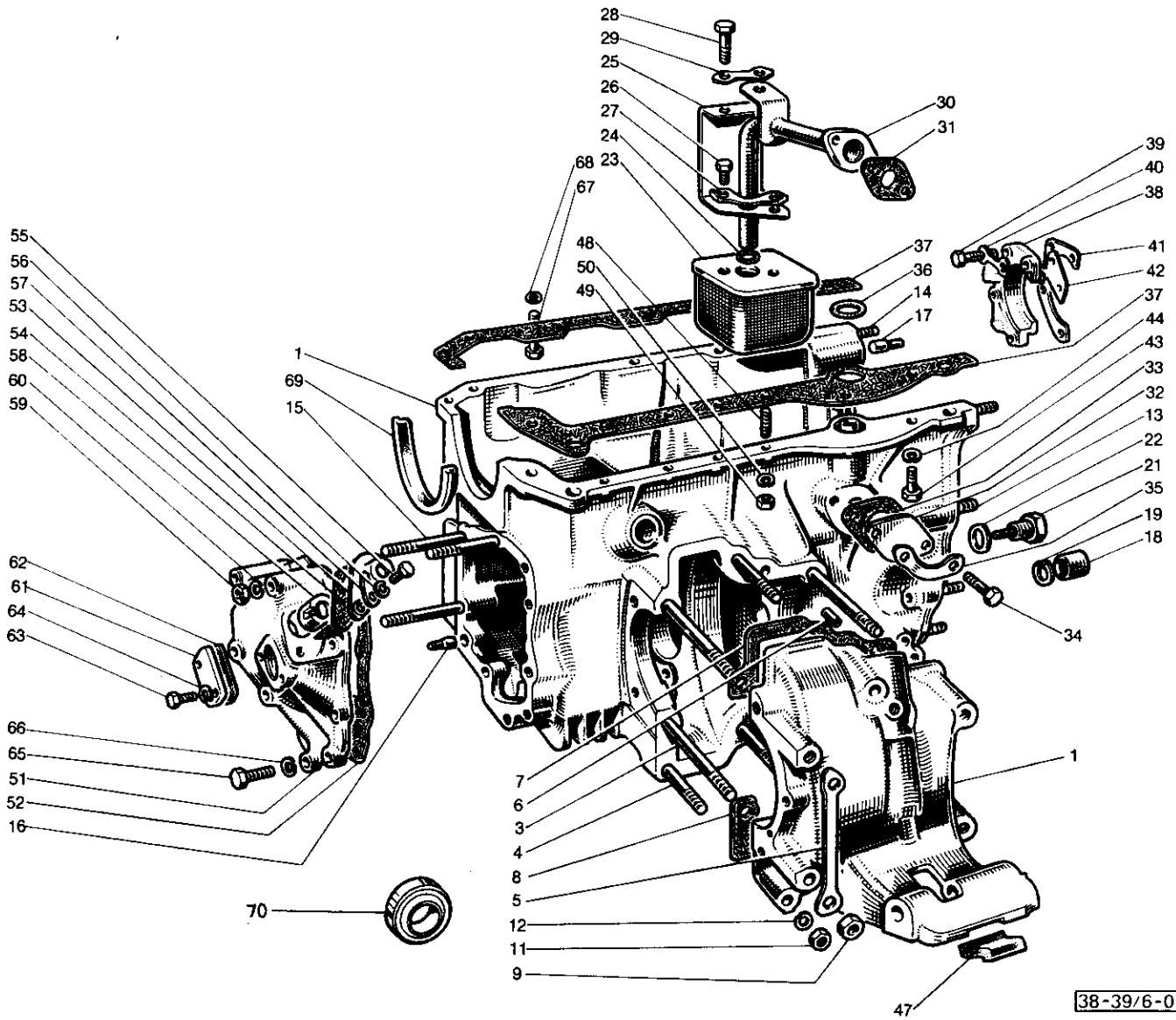


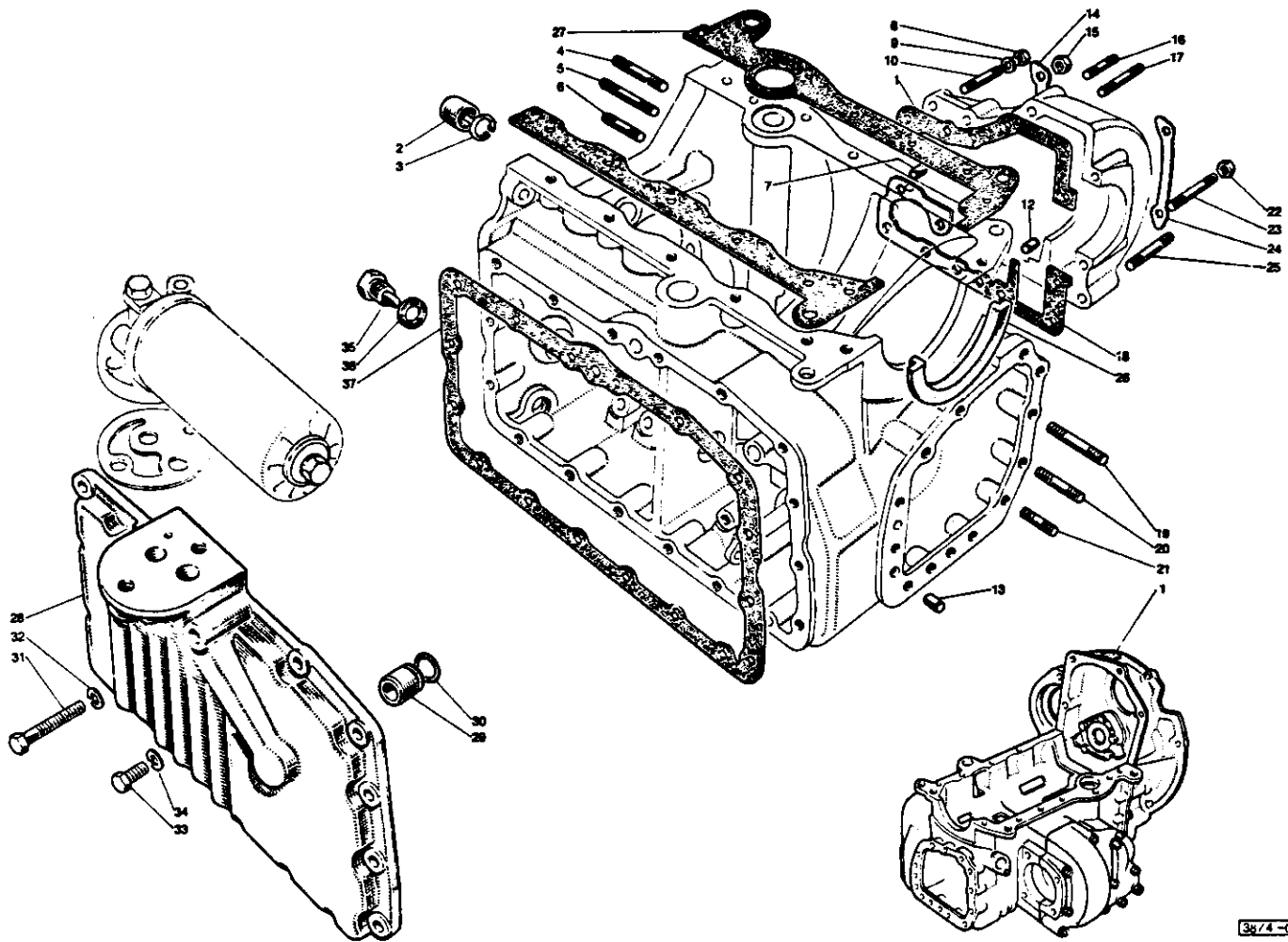
38-39/6-016

Ill. No.	Part No.	DESCRIPTION	Qty.	Change Point	REMARKS
TRANSMISSION CASE—1000, 1001 & 1300					
1	22G 2383	CASE ASSEMBLY—TRANSMISSION	1		
3	22G 1834	Stud—cover to case	2		
3	53K 266	Stud—cover to case	2		
4	53K 1471	Stud—short	3		
5	42H 500	Washer—lock	1		
6	22A 153	Dowel—differential cover	2		
7	2A 3505	Gasket—cover—upper	1		
8	22G 1836	Gasket—cover—lower	1		
9	FNZ 506	Nut	4		
11	FNZ 505	Nut	3		
12	LWZ 305	Washer—spring	3		
13	22A 152	Stud—flywheel housing—long	5		
13	53K 553	Stud—flywheel housing—long	1		
14	53K 547	Stud—flywheel housing—short	3		
15	53K 1474	Stud—front cover—long	3		
	53K 545	Stud—front cover—long	1		
16	22A 13	Dowel—front cover	2		
17	22A 97	Dowel—flywheel housing	2		
18	13H 7848	Bearing—needle roller—idler gear	1		
19	51K 3565	Circlip	2		
70	13H 6862	Oil seal—differential cover	1		
21	42H 1022	Plug—drain (magnetic)	1		
22	22A 134	Washer—plug	1		
23	22A 335	Strainer—oil	1		
24	22A 341	Ring—sealing—suction pipe	1		
25	22A 342	Bracket—strainer	1		
26	HNS 0403	Screw—bracket to strainer	2		
27	22A 388	Washer—lock	1		
28	HNS 0408	Screw—bracket to transmission case	2		
29	22A 1365	Washer—lock	1		
30	22G 1150	Pipe—oil suction	1		
31	22A 542	Gasket—pipe to case	1		
32	2A 3637	Flange—suction pipe—outer	1		
33	22A 542	Gasket—flange	1		
34	HBZ 0413	Screw	2		
35	2K 4874	Washer—lock	1		
36	2A 3606	Ring—sealing—oil suction drilling	1		
37	GEG 502	Gasket—transmission case to crankcase	1		



38-39/6-016

Ill. No.	Part No.	DESCRIPTION	Qty.	Change Point	REMARKS
TRANSMISSION CASE 1000, 1001 & 1300—continued					
38	22G 1922	Retainer—bearing	1		
39	HCS 0507	Screw—retainer	4		
40	2A 3583	Washer—tab	2		
41	2A 3714	Shim	A/R] Alternative sizes
41	2A 3715	Shim	A/R		
42	2A 3581	Plate	1		
43	HZS 0408	Screw—transmission case	5		
44	LWZ 304	Washer—spring	5		
48	FHS 2410	Stud—strainer case	2		
49	FNZ 504	Nut	2		
50	LWZ 304	Washer—spring	2		
51	88G 207	Cover—front—transmission case	1		
52	22A 541	Gasket	1		
53	28G 251	Bush and oil seal	1		
54	2A 3628	Gasket—pinion speed bush	1		
55	ZCS 0407	Screw	1		
56	LWZ 304	Washer—spring	1		
57	22A 862	Washer—spring	1		
58	2A 3624	Bush—speedometer pinion	1		
59	FNZ 505	Nut	3		
60	LWZ 305	Washer—spring	3		
61	2A 3626	Plate—end cover	1		
62	2A 3627	Gasket—cover plate	1		
63	ZCS 0406	Screw	2		
64	LWZ 304	Washer—spring	2		
65	ZCS 0509	Screw—front cover	5		
66	LWZ 305	Washer—spring	5		
67	HBZ 0412	Screw—transmission case	5		
68	LWZ 304	Washer—spring	5		
69	12G 2947	Seal—front main bearing cap	1		



34/4-020

Ill. No.	Part No.	DESCRIPTION	Qty.	Change Point	REMARKS
TRANSMISSION CASE—continued					
AUTOMATIC TRANSMISSION—MINIMATIC					
1	28G 305	CASE ASSEMBLY—TRANSMISSION	1		
2	13H 7848	Bearing—idler—input gear	1		
3	51K 3565	Circlip—bearing	1		
4	22A 963	Stud—long—case to housing	4		
5	CHS 2522	Stud—short—case to housing	4		
6	53K 548	Stud—short—case to housing	2		
7	22A 153	Dowel—case to cover	2		
8	NH 605041	Nut	7		
9	LWZ 305	Washer—spring	7		
10	22A 1044	Stud—cover to case	1		
	BH 505161	Bolt—case to handle	2		
11	22A 1012	Gasket—upper—cover	1		
12	22A 691	Peg	1		
13	22A 13	Dowel—auxiliary pump to case	2		
14	22A 692	Washer—lock	1		
15	FNZ 106	Nut—differential cover to case	2		
16	22A 1041	Stud	1		
17	22A 1046	Stud	2		
18	22A 1011	Gasket—lower	1		
19	CHS 2516	Stud—auxiliary pump	2		
20	CHS 2512	Stud—auxiliary pump	8		
21	CHS 2511	Stud—auxiliary pump	1		
22	FNZ 106	Nut—differential cover to case	2		
23	22A 1045	Stud—differential cover to case	4		
24	22A 690	Washer—lock	1		
25	22A 1043	Stud—differential cover to case	3		
26	12G 2947	Seal—oil—main bearing cap	1		
27	GEG 502	Gasket—crankcase to transmission case	1		
28	22A 1487	COVER ASSEMBLY—FRONT	1		
29	22A 1334	Bobbin—valve block	1		
30	22A 1557	'O' ring (rubber)	1		
31	BH 506221	Screw—long	2		
32	LWN 306	Washer—spring	2		
33	ZCS 0509	Screw—short	15		
34	WL 600051	Washer—spring	15		
35	2A 3623	Plug—drain (magnetic)	1		
36	22A 134	Washer—plug (copper)	1		
37	22A 911	Gasket—front cover	1		
	GEG 805	Set—gasket—transmission	1		