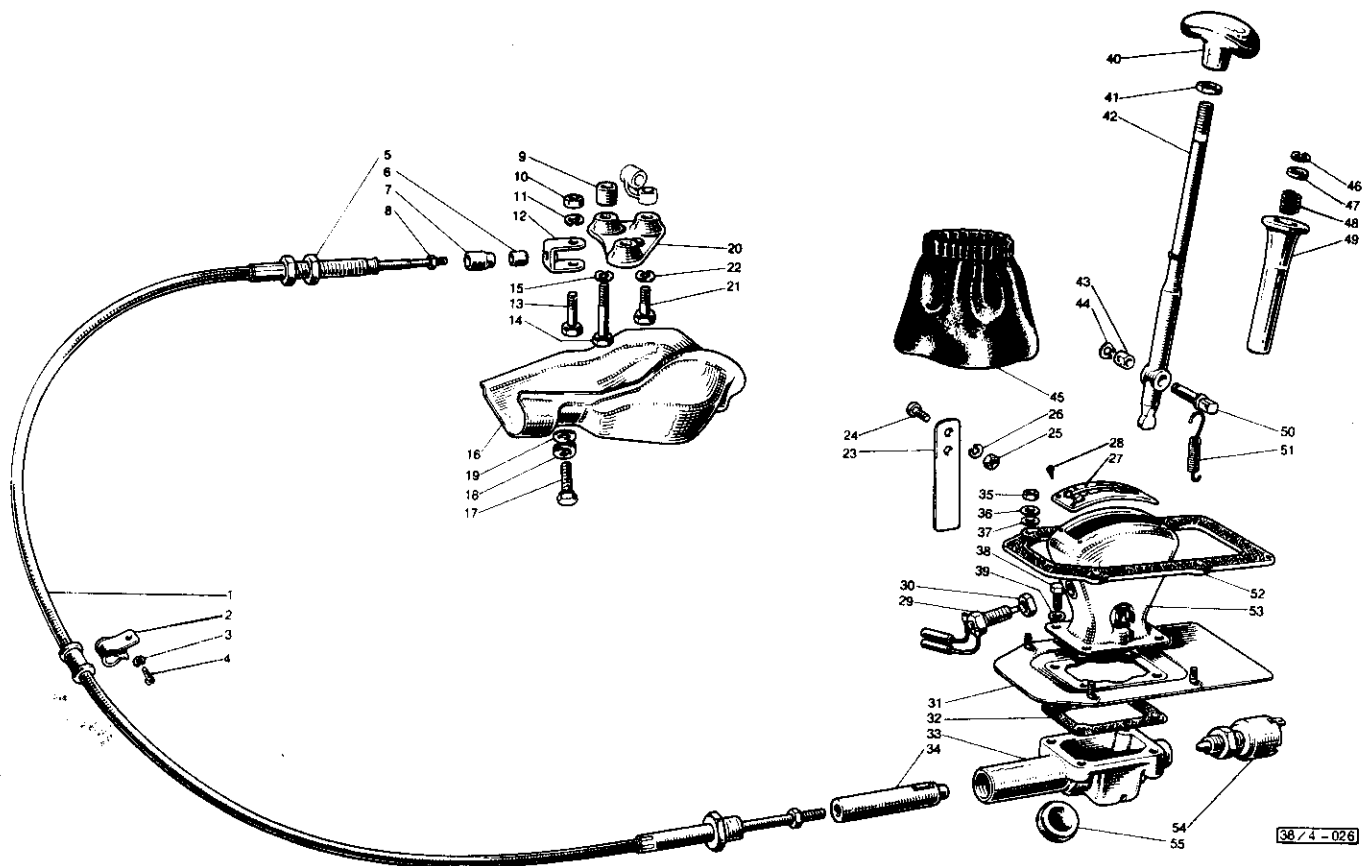
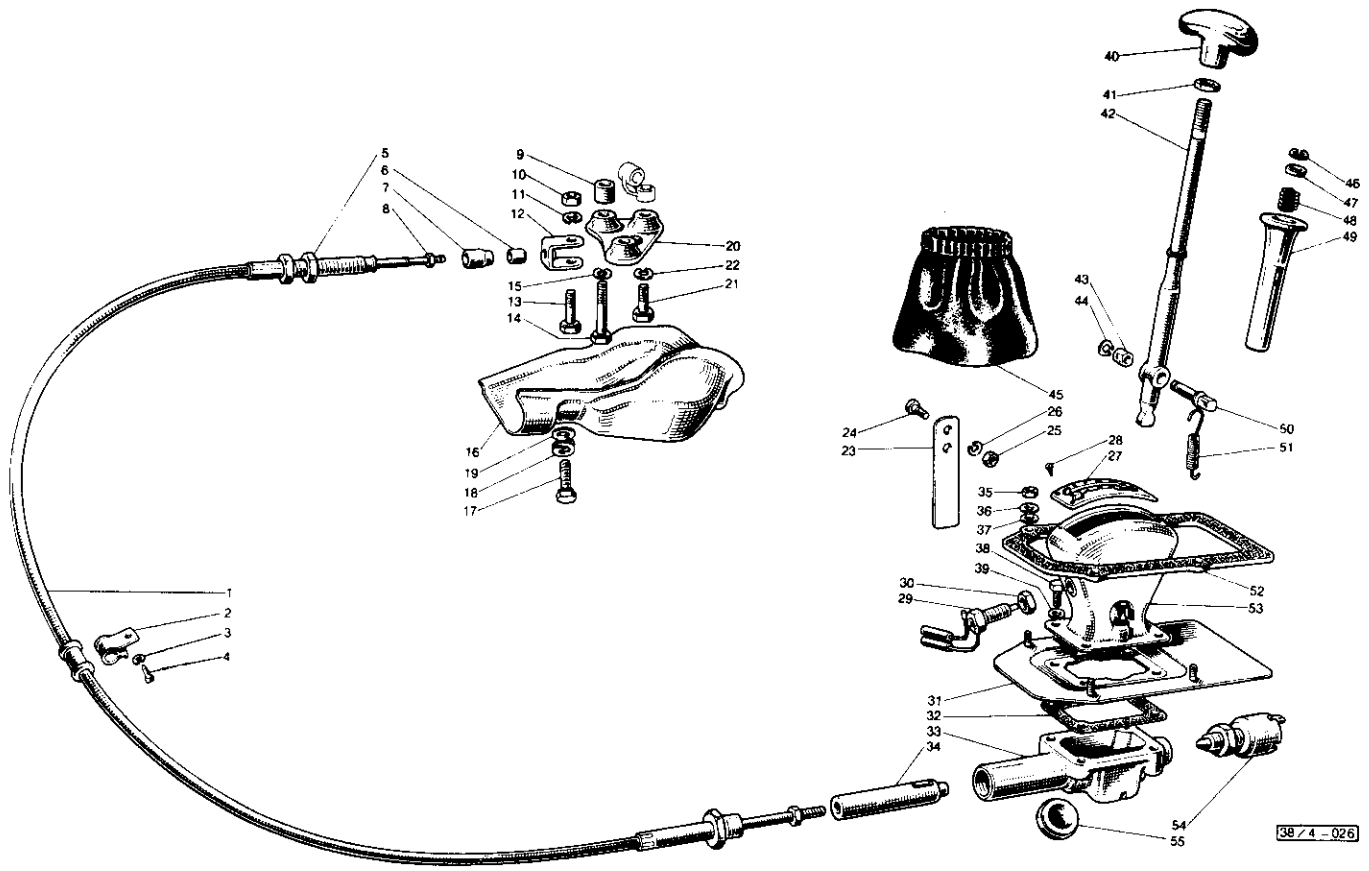


39 / 6 - 048

III. No.	Part No.	DESCRIPTION	Qty.	Change Point	REMARKS
GEAR-CHANGE MECHANISM					
1	AXE 348	Lever—change speed	1		1000, 1001 & 1300
2	AXE 508	Knob (wood)	1		1001
2	AXE 173	Knob	1		1000 & 1300
3	22A 1936	Rod—steady	1		
4	AXE 349	Housing—remote control	1		
5	AXE 350	Cover—bottom	1		
6	AXE 351	Screw—cover to housing	6		
7	22G 2205	Bobbin	2		
8	22G 1434	Retainer—spring	1		
9	22G 1930	Rod—extension	1		
10	22G 2041	Eye—extension rod	1		
11	22G 2272	Pin—slotted	1		
12	42H 1116	Coupling—extension rod	1		
13	42H 1199	Support—rod eye	1		
14	AXE 352	Gaiter—extension rod	1		
15	22H 725	Pin—remote control housing	1		
16	BMK 3087	Pin—remote control housing	1		
17	42H 1206	Plug—remote control housing	1		
18	22G 2026	Bracket—mounting	1		
19	22G 2027	Plate—distance—mounting bracket	1		1000, 1001 & 1300
20	RPS 1416	Pin—slotted spring	3		1300
21	AXE 353	Clip—gaiter	1		
22	2K 4956	Washer	1		
23	AXE 134	Gaiter—change speed lever	1		
24	CZH 3002	Plate—fixing	1		
25	PTP 804	Screw	6		
26	42H 1214	Bush—lower—remote control housing	2		
27	HBZ 0515	Bolt—steady rod	1		
28	FNZ 505	Nut—bolt	1		
29	AXE 69	Washer—spring	1		
30	NH 608060	Nut—steady rod to housing	1		
31	LNZ 208	Washer—spring	1		
32	NH 604041	Nut—bobbin	4		
33	LWZ 205	Washer—spring	4		
34	BT 606281	Bolt—remote control housing	1		
35	53K 1663	Nut—bolt	1		
36	AXE 266	Switch—reverse light	1		
37	AXE 665	Bush—housing	1		
38	AXE 666	Ball seating—lower	1		



Ill. No.	Part No.	DESCRIPTION	Qty.	Change Point	REMARKS
GEAR SELECTOR MECHANISM (AUTOMATIC TRANSMISSION)—MINIMATIC					
1	22A 1889	CABLE—GEAR SELECTOR	1		
5	FNZ 206	Nut—lock	1		
6	22A 1146	Gaiter—small	1		
7	22A 1147	Gaiter—large	1		
8	FNZ 103	Nut—lock	1		
2	22A 1874	Clip—cable support	1		
3	LWZ 403	Washer—lock	1		
4	PTZ 1004	Screw—clip	1		
9	22A 1702	Collar—spacing	1		
10	NH 604041	Nut	1		
11	WL 600041	Washer—lock	1		
12	22A 1875	Fork end	1		
13	HBZ 0409	Screw—fork end	1		
14	HCZ 0413	Bolt—pivot	1		
15	WL 600041	Washer—lock	1		
16	22A 1704	Cover—selector linkage	1		
17	53K 3516	Screw—cover	2		
18	2K 2545	Washer—spring—DC	2		
19	WL 600041	Washer—spring	2		
20	22A 1697	Lever—bellcrank	1		
21	HBZ 0409	Screw—lever to bracket	1		
22	WL 600041	Washer—spring—screw	1		
23	22A 1076	Retainer—pivot	1		
24	PMZ 0306	Screw—retainer	2		
25	ANZ 103	Nut	2		
26	LWZ 303	Washer	2		



III. No.	Part No.	DESCRIPTION	Qty.	Change Point	REMARKS
GEAR SELECTOR MECHANISM (AUTOMATIC TRANSMISSION)—MINIMATIC—continued					
27	22A 1883	Plate—gear indicator	1		
28	AD 606033	Screw—plate (chrome)	4		
29	13H 6084	Switch—reverse light	1		
30	22A 1613	Nut—switch	1		
31	22A 2062	Plate—mounting	1		
32	22A 936	Gasket—housing	1		
33	22G 461	Housing—gear selector	1		
34	22A 1028	Plunger—gear selector	1		
35	ANZ 103	Nut—mounting plate	4		
36	LWZ 303	Washer—spring	4		
37	PWZ 104	Washer—plain	4		
38	ZCS 0405	Screw—control box	4		
39	WL 600041	Washer—spring	4		
40	22A 1501	Knob—gear change lever	1		
41	54K 1722	Nut—lock	1		
42	22A 1575	Lever—gear selector	1		
43	22A 941	Bush—sliding pivot	1		
44	22A 943	Retainer—pivot	1		
45	AXE 467	Gaiter—gear lever	1		
46	13H 5837	Circlip	1		
47	AHC 196	Washer	1		
48	AHC 197	Spring—return—reverse bulk	1		
49	22A 1577	Sleeve—selector lever	1		
50	22A 1068	Pivot—lever	1		
51	22A 1075	Spring—reverse abutment	1		
52	22A 2067	Seal—plate mounting	1		
53	22G 1123	Box—control	1		
54	13H 5045	Switch—inhibitor (neutral start)	1		
55	22A 1070	Grommet—gear selector housing	1		