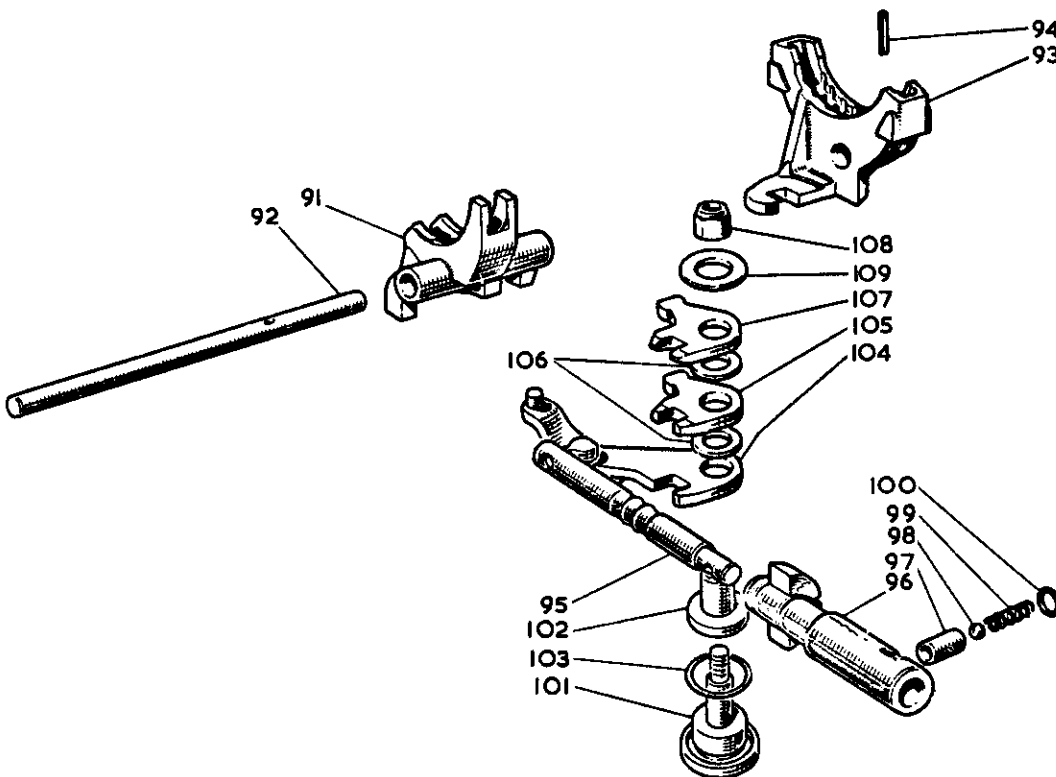
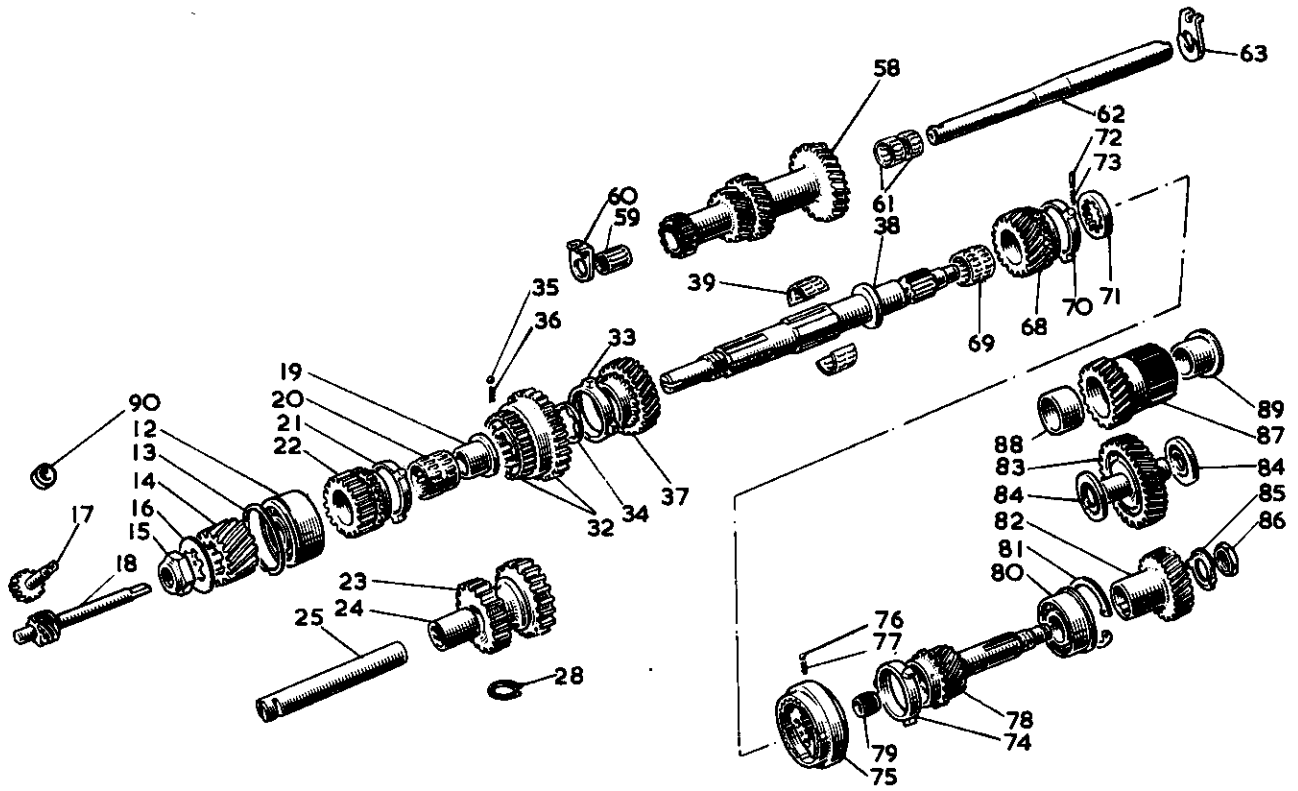
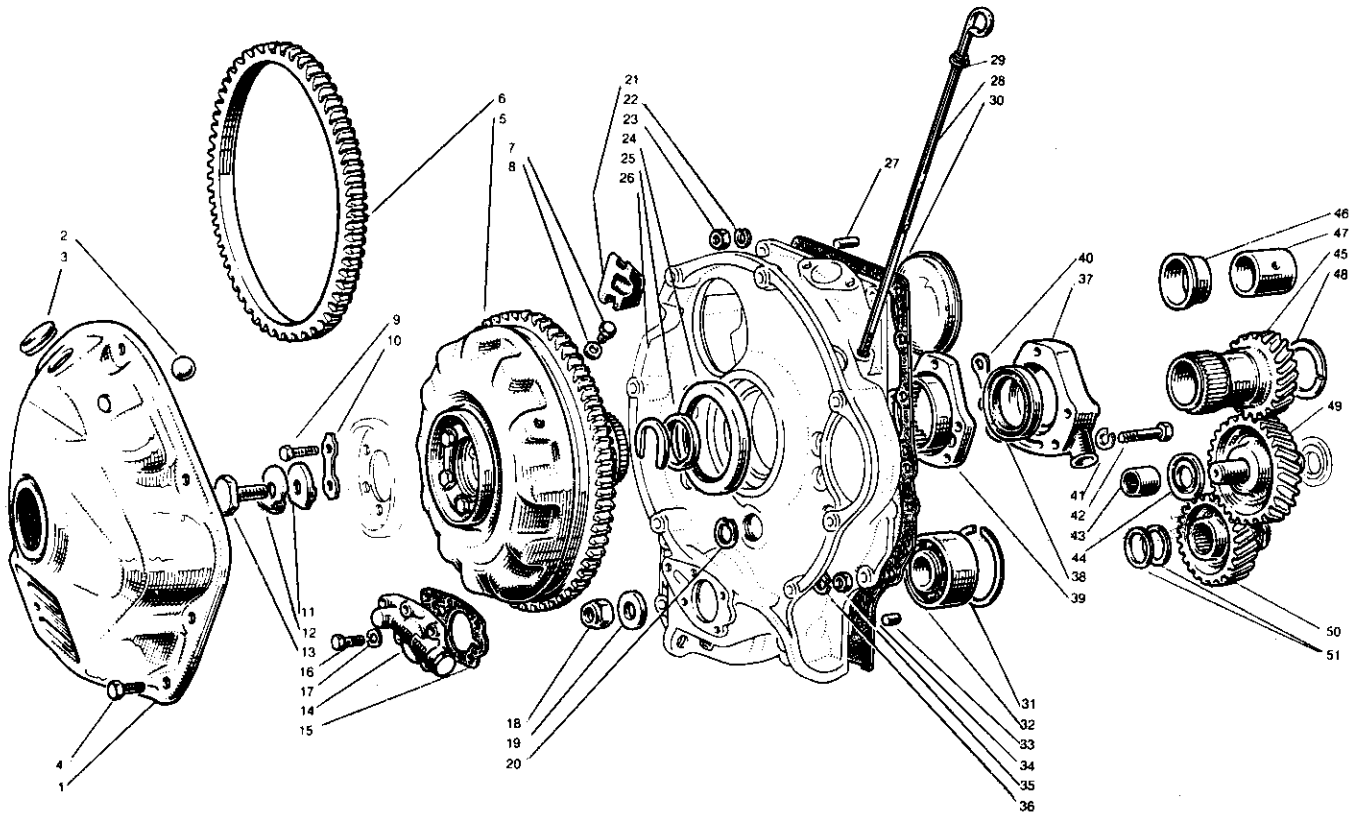


Ill. No.	Part No.	DESCRIPTION	Qty.	Change Point	REMARKS
<b>GEARBOX</b>					
12	22G 1005	Bearing—ball—3rd motion shaft	1		] 1000, 1001 & ] 1300 ] 1000 & 1001 ] 1300
13	22G 72	Ring—spring	1		
14	22A 399	Pinion—final drive—17 teeth, 3.76 : 1 ratio	1		
14	22A 413	Pinion—final drive—18 teeth, 3.44 : 1 ratio	1		
15	22G 48	Nut—pinion retaining	1		
16	22A 613	Washer—tab	1		
17	22A 1881	Pinion—speedometer (with spindle)	1		
18	2A 3720	Wheel—speedometer	1		
19	22G 837	Journal—1st speed gear	1		
20	88G 494	Bearing—needle roller	1		
21	22G 2033	Ring—baulk	1		
22	22G 1096	Gear—1st speed	1		
23	22G 1852	WHEEL ASSEMBLY—REVERSE	1		
24	22G 825	Bush	1		
25	88G 209	Shaft—reverse wheel	1		
28	CCN 108	Ring—spring	1		
32	22G 2263	Wheel—rear mainshaft	1		
33	22G 2033	Ring—baulk	1		
34	22G 839	Washer—thrust	1		
35	BLS 107	Ball	3		
36	22G 2262	Spring	3		
37	22G 1094	Gear—2nd speed	1		
38	22G 833	Shaft—3rd motion	1		
39	88G 495	Bearing—needle roller	1		
104	22G 1849	Lever—reverse	1		
95	22G 1858	Shaft—selector	1		
98	BLS 110	Ball—detent	1		
101	22G 1845	Pin—pivot—bellcrank	1		
103	31B 447	'O' ring—pivot pin	1		
96	22G 1844	Spool—interlock	1		
102	42H 1077	Bush—pivot	1		
106	42H 1081	Spacer—bellcrank	2		
105	22G 1847	Lever—bellcrank—centre	1		
107	22G 1848	Lever—bellcrank—upper	1		
92	22G 1854	Shaft—selector—fork	1		
91	22G 1855	Fork—1st and 2nd speed	1		
93	22G 1856	Fork—3rd and 4th speed	1		
94	RPS 1014	Roll-pin	1		
97	22G 1870	Sleeve—detent	1		
100	22G 1417	'O' ring—top and rear extension	1		
99	22G 2083	Spring—detent	1		
108	AXE 501	Nut	1		
109	AXE 502	Washer—plain	1		

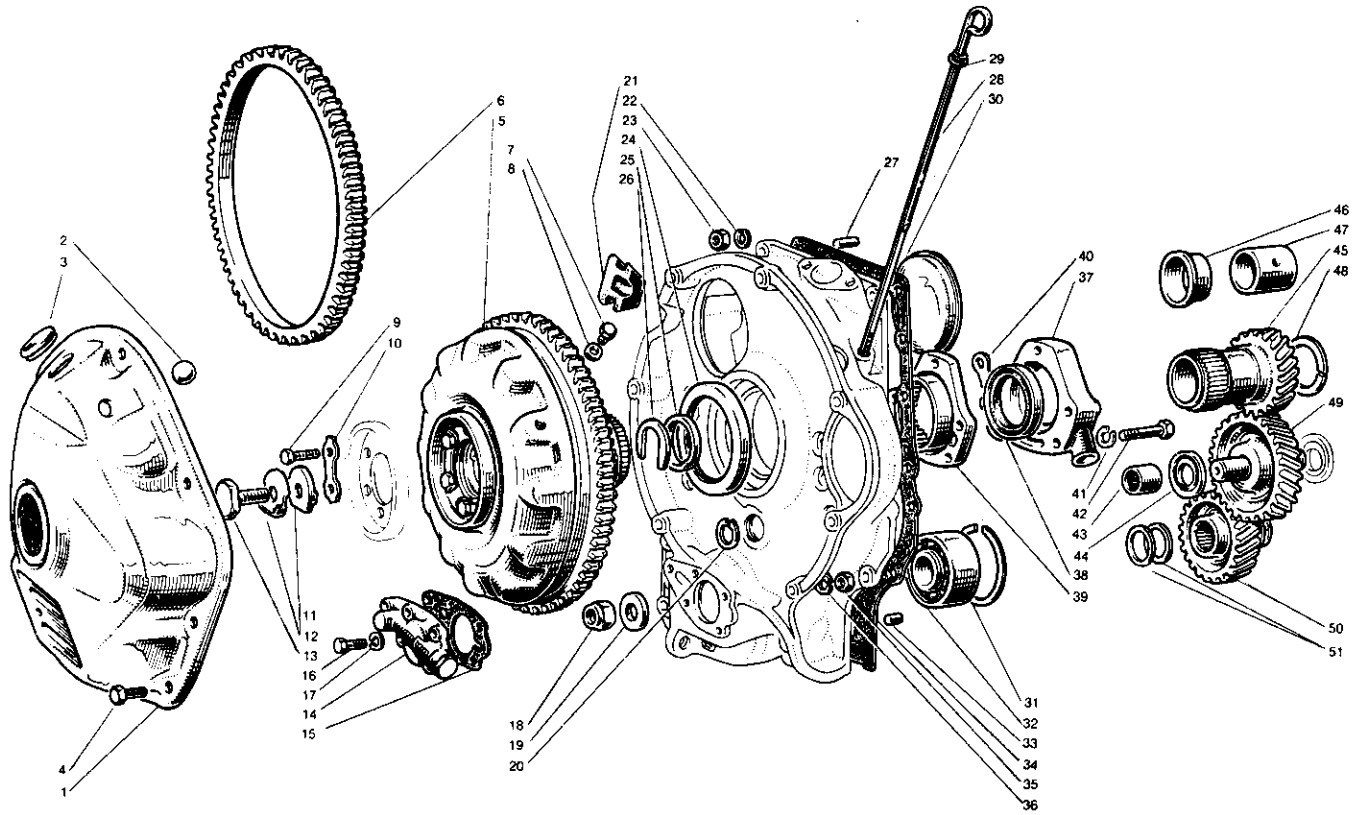


III. No.	Part No.	DESCRIPTION	Qty.	Change Point	REMARKS
<b>GEARBOX—continued</b>					
58	22G 927	Laygear	1		1000 & 1001 1300
58	22G 1040	Laygear	1		
59	88G 396	Bearing—needle roller	1		Alternative sizes
60	22G 856	Washer—thrust—laygear—small	1		
60	22G 857	Washer—thrust—small	A/R		
60	22G 858	Washer—thrust—small	A/R		
60	22G 859	Washer—thrust—small	A/R		
61	22G 855	Bearing—needle roller	2		
62	22G 931	Layshaft	1		
63	22G 860	Washer—thrust—layshaft—large	1		
68	22G 1095	Gear—3rd speed	1		1000, 1001 & 1300
69	88G 496	Bearing—needle roller	1		
70	22G 2033	Ring—baulk	1		
71	22G 947	Washer—thrust	1		
72	22G 843	Peg	3		
73	22G 154	Spring	3		
74	22G 2033	Ring—baulk	1		
75	22G 2264	Synchronizer—3rd and 4th speed	1		
76	BLS 107	Ball	3		
77	22G 2262	Spring	3		
78	22G 1093	Shaft—1st motion	1		1000 & 1001 1300
78	22G 1371	Shaft—1st motion	1		
79	88G 409	Bearing—needle roller	1		
80	22G 848	Bearing—ball—1st motion shaft	1		
81	22G 851	Circlip—bearing	1		
81	22G 850	Circlip—bearing	A/R		
82	22G 849	Gear—1st motion shaft drive	1		
83	22G 943	Gear—idler	1		1000, 1001 & 1300
84	22A 1545	Washer—thrust—3.35 to 3.37 mm	1		
84	22A 1547	Washer—thrust—3.40 to 3.42 mm	A/R		
84	22A 1548	Washer—thrust—3.45 to 3.47 mm	A/R		
84	22A 1549	Washer—thrust—3.50 to 3.53 mm	A/R		
85	22A 612	Washer—tab	1		
86	2A 3548	Nut	1		
87	22A 1493	GEAR ASSEMBLY—CRANKSHAFT PRIMARY	1		1000 & 1001
87	22G 1053	GEAR ASSEMBLY—CRANKSHAFT PRIMARY	1		1300
	22G 401	Bush—front	1		1000 & 1001
88	22G 770	Bush—front	1		1300
89	22G 109	Bush—rear	1		1000, 1001 & 1300
90	13H 4024	Seal—oil—speedometer pinion	1		



3874-019

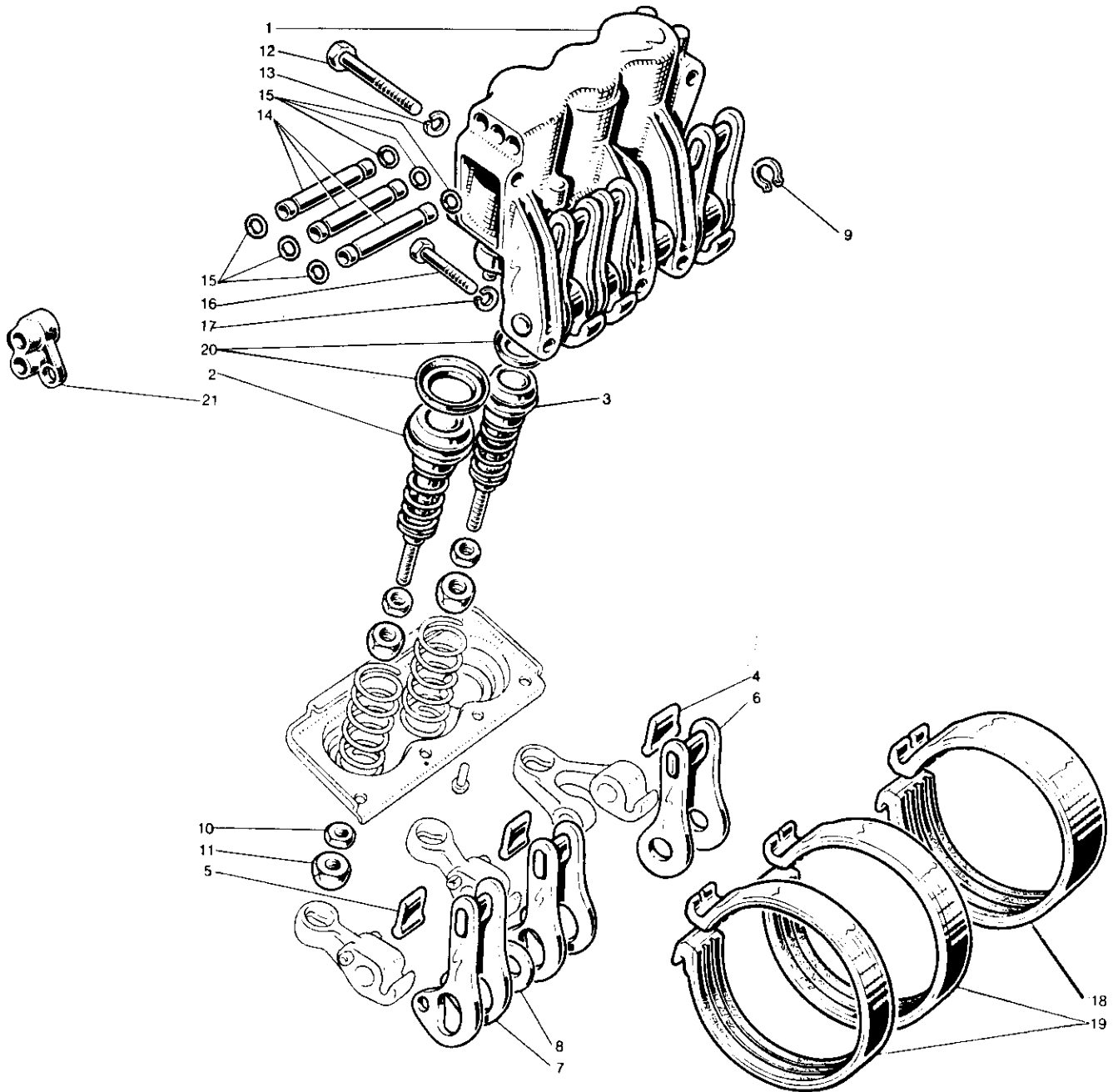
III. No.	Part No.	DESCRIPTION	Qty.	Change Point	REMARKS
<b>CONVERTER—GEAR TRAIN (AUTOMATIC TRANSMISSION)—MINIMATIC</b>					
1	22G 1580	Cover—converter	1		
2	22A 1492	Grommet—cover (rubber)	1		
3	22A 1114	Grommet (rubber)	1		
4	HZS 0508	Screw—cover to housing	5		
5	22G 1532	CONVERTER ASSEMBLY	1		
6	22G 1562	Gear—starter ring	1		
7	27H 8800	Plug—drain	2		
8	27H 8803	Washer (copper)	2		
9	27H 8801	Bolt	6		
10	27H 8804	Washer—lock (tab)	3		
11	22A 1159	Key—converter to crankshaft	1		
12	22A 1155	Washer—lock	1		
13	22A 747	Screw	1		
14	22G 1679	Valve—low pressure	1		
15	22A 885	Gasket—valve	1		
16	ZCS 0406	Screw—valve	5		
17	WL 600041	Washer—spring	5		
18	22A 668	Nut (Nyloc) input bevel gear	1		
19	22A 624	Washer—abutment	1		
20	51K 3565	Circlip—bearing	1		
21	22A 1084	Grommet—converter housing	1		
22	LWN 305	Washer—spring	9		
23	FNZ 505	Nut	11		
24	22A 784	Seal—oil	1		
25	88E 549	Ring—backing	1		
26	22A 319	Washer—thrust—output gear	1		
27	22A 97	Dowel—case to housing	1		
28	22A 750	ROD—OIL DIPPER	1		
29	AEC 671	Washer (rubber)	1		



38/4 - 019

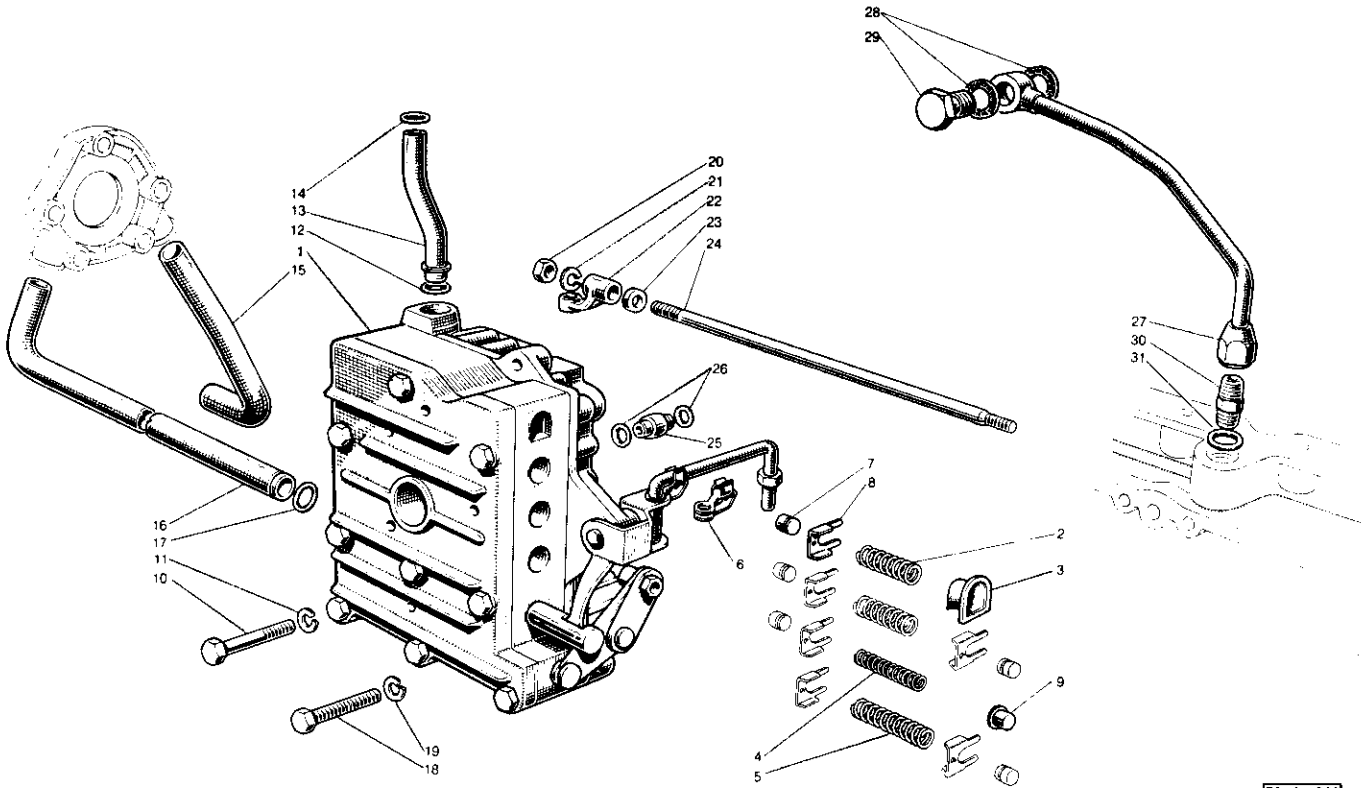
Ill. No.	Part No.	DESCRIPTION	Qty.	Change Point	REMARKS
<b>CONVERTER GEAR TRAIN (AUTOMATIC TRANSMISSION)--MINIMATIC--continued</b>					
30	22A 973	Cover--oil pump	1		
31	22A 661	Retainer--bearing	1		
32	22G 460	Bearing--ball--helical input gear	1		
33	22A 97	Dowel--case to housing	1		
34	22A 1689	Gasket--converter housing	1		
35	NH 605041	Nut	5		
36	LWZ 305	Washer--lock	4		
37	22A 959	CASE ASSEMBLY--REAR	1		
38	27H 7657	Seal--oil	1		
39	22A 958	Carrier--stator	1		
40	22A 796	Washer--lock	2		
41	LWZ 305	Washer--spring	1		
42	BH 505121	Bolt--stator	5		
43	13H 7985	Bearing--idler--input gear	1		
<b>WASHER--THRUST--IDLER GEAR</b>					
44	22A 1546	(.130" to .131") 3.30 mm to 3.32 mm	2		
44	22A 1545	(.132" to .133") 3.35 mm to 3.37 mm	A/R		
44	22A 1547	(.134" to .135") 3.40 mm to 3.42 mm	A/R		
44	22A 1548	(.136" to .137") 3.45 mm to 3.47 mm	A/R		
44	22A 1549	(.138" to .139") 3.50 mm to 3.52 mm	A/R		
45	22A 1064	GEAR ASSEMBLY--CONVERTER OUTPUT	1		
46	22G 109	Bush--rear	1		
47	22A 1066	Bush--front	1		
<b>WASHER--THRUST--OUTPUT GEAR FRONT</b>					
48	22A 321	(.110" to .112") 2.79 mm to 2.84 mm	1		
48	22A 546	(.112" to .114") 2.84 mm to 2.89 mm	A/R		
48	22A 547	(.114" to .116") 2.89 mm to 2.94 mm	A/R		
48	22A 548	(.116" to .118") 2.94 mm to 2.99 mm	A/R		
48	22A 549	(.118" to .120") 2.99 mm to 3.04 mm	A/R		
49	22A 1242	Gear--idler	1		
50	22A 1265	Gear--helical input	1		
<b>SHIM--HELICAL INPUT GEAR</b>					
51	22A 1266	(.003") 0.076 mm	A/R		
51	22A 1267	(.012") 0.305 mm	A/R		





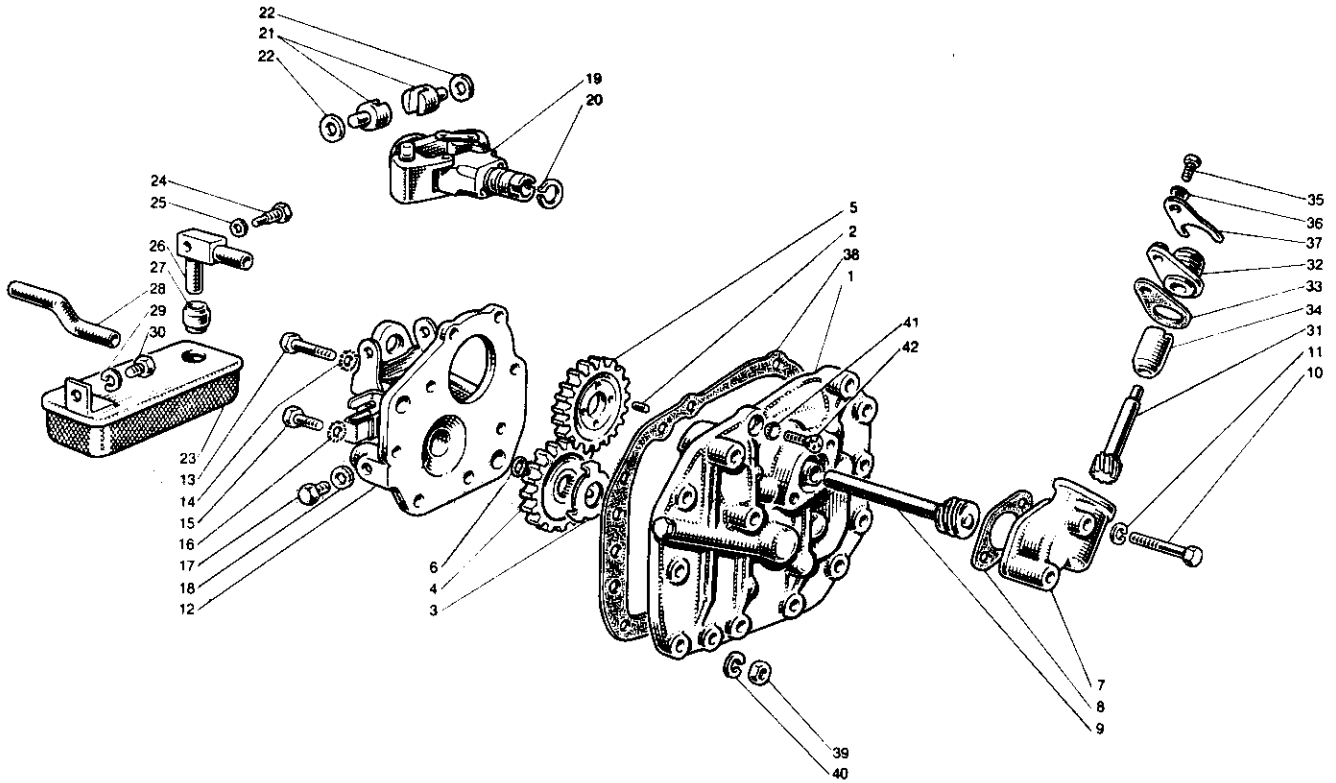
38 / 4 - 021

Ill. No.	Part No.	DESCRIPTION	Qty.	Change Point	REMARKS
<b>SERVO (AUTOMATIC TRANSMISSION)—MINIMATIC</b>					
1	22A 1835	SERVO ASSEMBLY	1		
2	27H 7688	Piston—2nd & reverse	2		
3	27H 7689	Piston—3rd	1		
4	27H 7686	Strut—reverse	1		
5	27H 7687	Strut—2nd & 3rd gear	2		
6	27H 7690	Member—reaction	1		
7	27H 7691	Link & strut	2		
8	27H 7678	Washer—pivot shaft	1		
9	27H 7683	Circlip—pivot shaft	1		
10	FNN 305	Nut—lock	3		
11	27H 7684	Nut—spherical	3		
12	BH 505201	Bolt—servo to transmission case	2		
13	LWN 305	Washer—spring	2		
14	22A 1144	Pipe—oil valve block to servo	3		
15	22A 1561	'O' ring (rubber)	6		
16	HCN 0515	Bolt—servo to transmission case	3		
17	LWN 305	Washer—spring	3		
18	22G 1719	Band—brake—reverse	1		
19	22G 1720	Band—brake—2nd & 3rd	2		
20	18G 8628	Kit—servo repair	1		
21	AXE 664	Guide—valve block converter pipe	1		



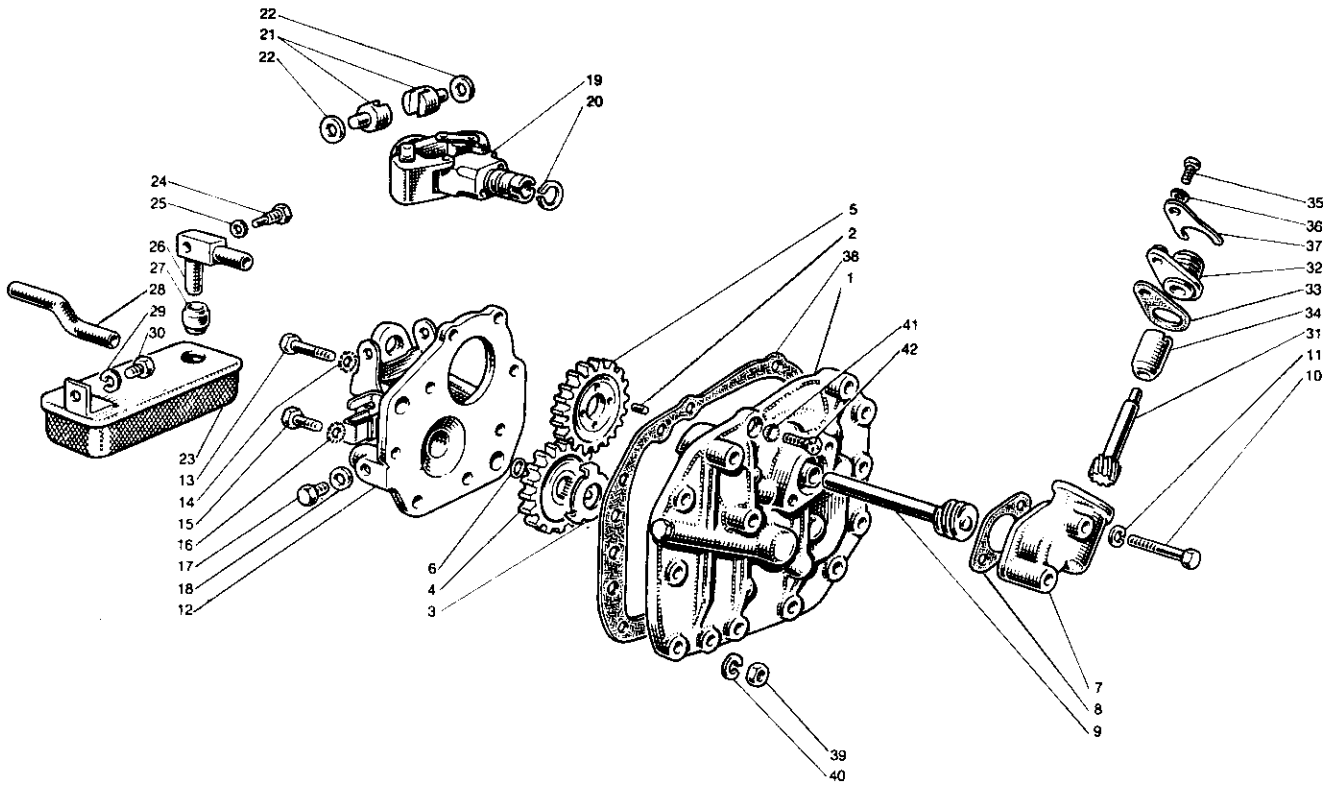
36/4-022

Ill. No.	Part No.	DESCRIPTION	Qty.	Change Point	REMARKS
<b>VALVE BLOCK (AUTOMATIC TRANSMISSION)—MINIMATIC</b>					
1	22A 1887	BLOCK ASSEMBLY—VALVE	1		
2	37H 1788	Spring—shuttle valve	2		
3	37H 1785	Cap—flat	1		
4	37H 1789	Spring—pump valve	1		
5	37H 1791	Spring—regulator valve	1		
6	27H 7738	Clip—connecting arm	1		
7	37H 1786	Plug—valve block	1		
7	37H 3336	Plug—valve block	4		
8	37H 1787	'C' clip	6		
9	37H 1784	Cap—domed	1		
10	37H 1793	Bolt—valve block	9		
11	LWN 204	Washer—spring	9		
12	22A 1563	'O' ring (rubber)	1		
13	22G 792	Pipe—oil—valve block to adaptor	1		
14	RFR 112	Grommet—oil pipe	1		
15	22A 1509	Pipe—oil—converter to low pressure valve	1		
16	88G 544	PIPE—OIL (WITH VALVE) CONVERTER FEED	1		
17	22A 1564	'O' ring (rubber)	1		
18	SH 504101	Screw—valve block to case	3		
19	LWN 304	Washer—spring	3		
20	NH 604041	Nut—operating rod	1		
21	WL 600041	Washer—spring	1		
22	22A 1703	Bracket—operating rod	1		
23	13H 6585	Seal—oil—operating rod	1		
24	22A 1690	Rod—valve operating	1		
25	22A 1336	Bobbin—valve block to case	2		
26	22A 1563	'O' ring (rubber)	4		
27	88G 539	Pipe—oil—crankcase to transmission	1		
28	12A 1768	Washer (copper)	2		
29	2A 715	Screw—banjo union	1		
30	22G 791	Adaptor (screwed)	1		
31	22A 1563	'O' ring (rubber)	1		



38/4 - 023

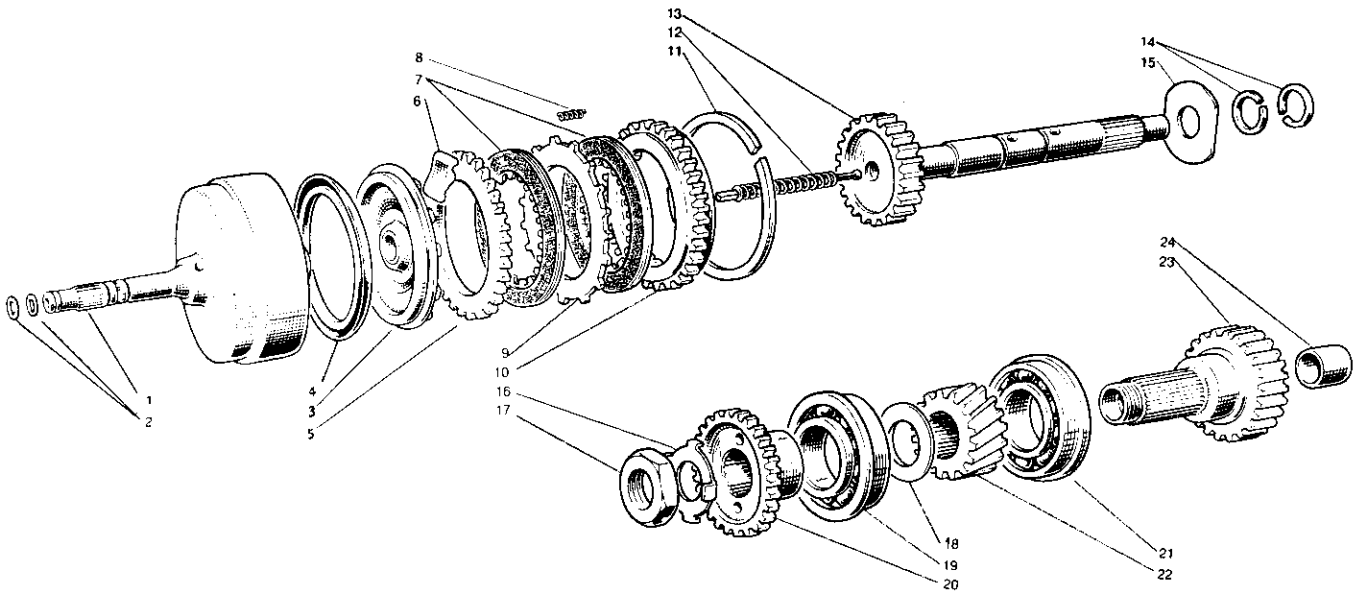
Ill. No.	Part No.	DESCRIPTION	Qty.	Change Point	REMARKS
		<b>AUXILIARY PUMP—GOVERNOR AND END COVER (AUTOMATIC TRANSMISSION)— MINIMATIC</b>			
	22A 1888	PUMP—AUXILIARY GOVERNOR AND END COVER	1		
1	37H 2610	HOUSING AND GEARS—PUMP	1		
2	37H 2611	Pin—roll	2		
3	27H 7706	Washer—thrust	1		
4	NSP	Gear—drive	1		
5	NSP	Gear—driven	1		
6	37H 4231	'O' ring (rubber)	1		
7	27H 7715	Housing—speedometer drive	1		
8	27H 7714	Gasket—housing	1		
9	27H 7713	Spindle and speedometer gear	1		
10	27H 7716	Screw—housing	2		
11	WE 600041	Washer—shakeproof	2		
12	37H 2608	Cover—end (with bracket)	1		
13	27H 7709	Bolt—end cover	1		
14	WE 600041	Washer—shakeproof	1		
15	27H 7710	Bolt—end cover to housing	7		
16	WE 600041	Washer—shakeproof	7		
17	27H 7712	Plug—screwed	2		
18	17H 7249	Washer—plug	2		
19	37H 2609	Governor	1		
20	27H 7705	Circlip	1		
21	27H 7703	Yoke—kick down control	2		
22	PWN 103	Washer—trunnion arm pivot	2		
23	22A 1142	Strainer—oil—auxiliary pump	1		
24	22A 965	Peg—screwed—suction pipe	1		
25	12B 63	Washer (fibre)	1		



3874 - 023

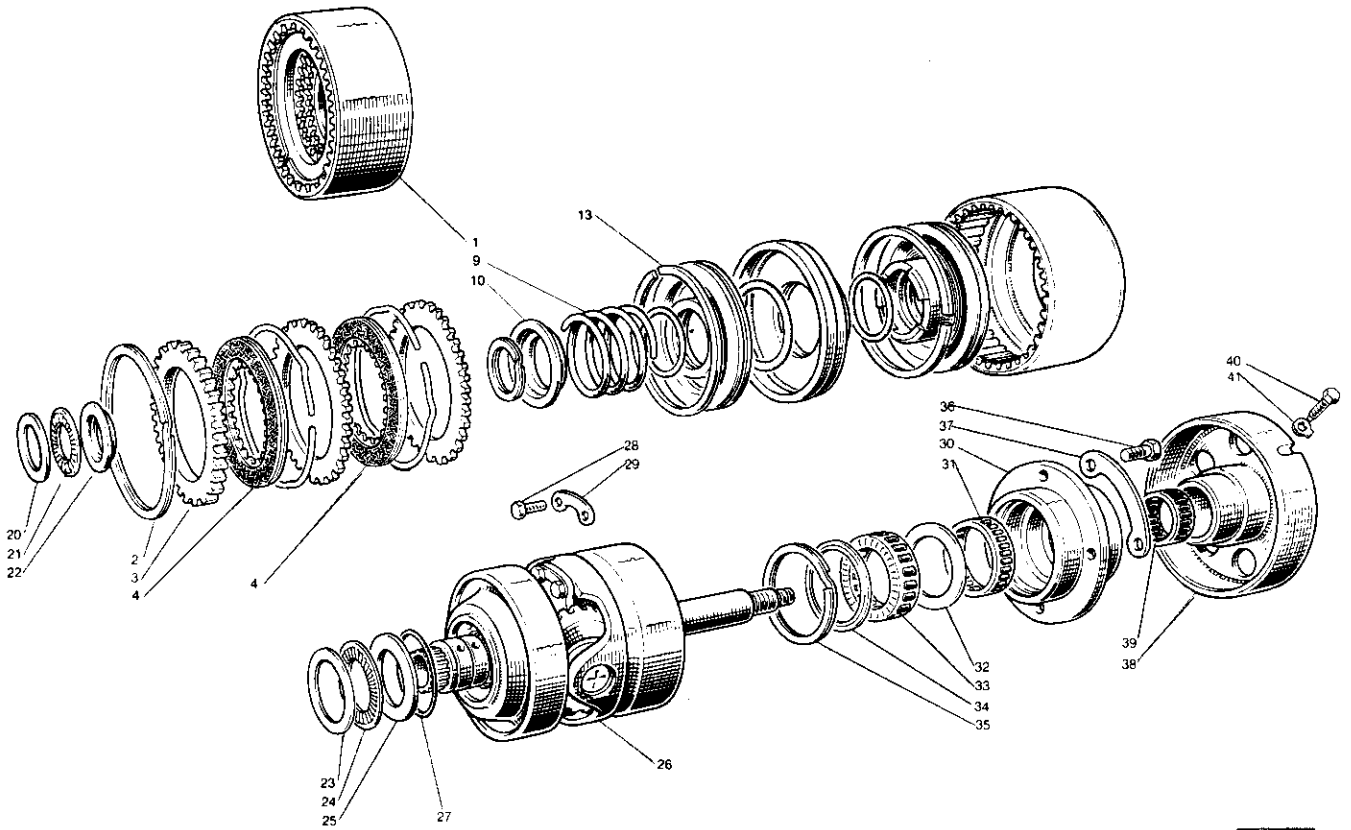
Ill. No.	Part No.	DESCRIPTION	Qty.	Change Point.	REMARKS
<b>AUXILIARY PUMP—GOVERNOR AND END COVER (AUTOMATIC TRANSMISSION— MINIMATIC—continued</b>					
26	22A 1140	Pipe—oil suction	1		
27	22A 964	Grommet—strainer	1		
28	22A 1329	Pipe—oil—valve block to forward clutch	1		
29	LWN 305	Washer—spring—screw	1		
30	SH 505041	Screw—strainer to case	1		
31	22A 1881	Pinion—speedometer	1		
32	28G 251	Bush—speedometer	1		
33	2A 3628	Gasket—bush	1		
34	2A 3624	Bush—plain—speedometer pinion	1		
35	SH 504071	Screw—speedometer pinion bush	1		
36	WL 600041	Washer—spring—screw	1		
37	22A 862	Plate—spring	1		
38	88G 498	Gasket—end cover	1		
39	FNZ 505	Nut	10		
40	LWZ 305	Washer—spring	10		
41	6K 9012	Washer—lock	1		
42	22A 1344	Screw—auxiliary pump housing	1		





38/4-024

Ill. No.	Part No.	DESCRIPTION	Qty.	Change Point	REMARKS
<b>FORWARD CLUTCH (AUTOMATIC TRANSMISSION)—MINIMATIC</b>					
1	18G 8773	CLUTCH—FORWARD	1		
2	27H 9295	Ring	2		
3	27H 7719	Piston	1		
4	NSP	Seal	1		Part of kit 18G 8625
5	27H 7721	Plate—pressure	1		
6	27H 7720	Lever	6		
9	37H 7033	Plate—pressure .074" (1.8 mm)	1		
9	37H 7032	Plate—pressure .362" (9.12 mm)	1		
10	27H 7724	Plate—end	1		
11	37H 7031	Circlip	1		
	18G 8625	KIT—REPAIR	1		
8	NSP	Spring	10		
7	18G 8169	Kit—clutch plate	1		
12	22G 1678	Valve—reverse shut-off	1		
13	22G 807	SHAFT—FORWARD	1		
14	22G 733	Ring—piston	2		
15	22G 809	Washer—tab	1		
16	22A 696	Washer—lock	1		
17	22A 710	Nut	1		
18	22G 804	Washer—spacing	1		
18	22G 805	Washer—spacing	A/R		
18	22G 806	Washer—spacing	A/R		
19	22G 800	Bearing—ball	1		
20	22A 730	Hub—forward shaft	1		
21	22G 800	Bearing	1		
22	22A 1300	Pinion—final drive (22 teeth)	1		
23	8G 761	HUB—TOP AND REVERSE CLUTCH	1		
24	22G 730	Bush	1		



38/4-025

Ill. No.	Part No.	DESCRIPTION	Qty.	Change Point	REMARKS
<b>TOP AND REVERSE CLUTCH—BEVEL GEAR TRAIN (AUTOMATIC TRANSMISSION)—MINIMATIC</b>					
1	22A 1669	CLUTCH—TOP AND REVERSE	1		
2	37H 4971	Retainer—end plate	1		
3	27H 7672	Plate—end	1		
9	27H 7665	Spring—piston return	1		
10	27H 7666	Retainer—spring	1		
13	27H 7664	Ring—piston	1		
	18G 8626	KIT—REPAIR—TOP AND REVERSE			
		CLUTCH	1		
4	18G 8169	Kit—clutch plate	1		
20	22G 754	Washer—thrust	1		
21	22A 706	Bearing—thrust—needle roller	1		
22	22G 753	Washer—thrust	1		
23	22A 702	Washer—thrust	1		
24	22A 708	Bearing—thrust—needle roller	1		
25	22G 748	Washer—thrust	1		
25	22G 749	Washer—thrust	A/R		
25	22G 750	Washer—thrust	A/R		
25	22G 751	Washer—thrust	A/R		
26	38G 428	BEVEL GEAR TRAIN	1		
27	22A 1558	'O' ring	3		
28	SH 604061	Screw	4		
29	22A 639	Washer—lock	2		
30	22G 755	HOUSING—FREE WHEEL	1		
31	22A 713	Bearing—needle roller	1		
32	22A 638	Spacer	1		
33	22A 716	Freewheel	1		
34	22G 757	Spacer	1		
35	22G 758	Clip—retaining	1		
36	HZS 0407	Screw—housing to gear carrier	4		
37	22A 697	Washer—lock	2		
38	22A 625	Housing—freewheel bearing	1		
39	22A 712	Bearing—needle roller	1		
40	22A 1776	Boit—dowel	1		
41	22A 1777	Washer—lock	1		