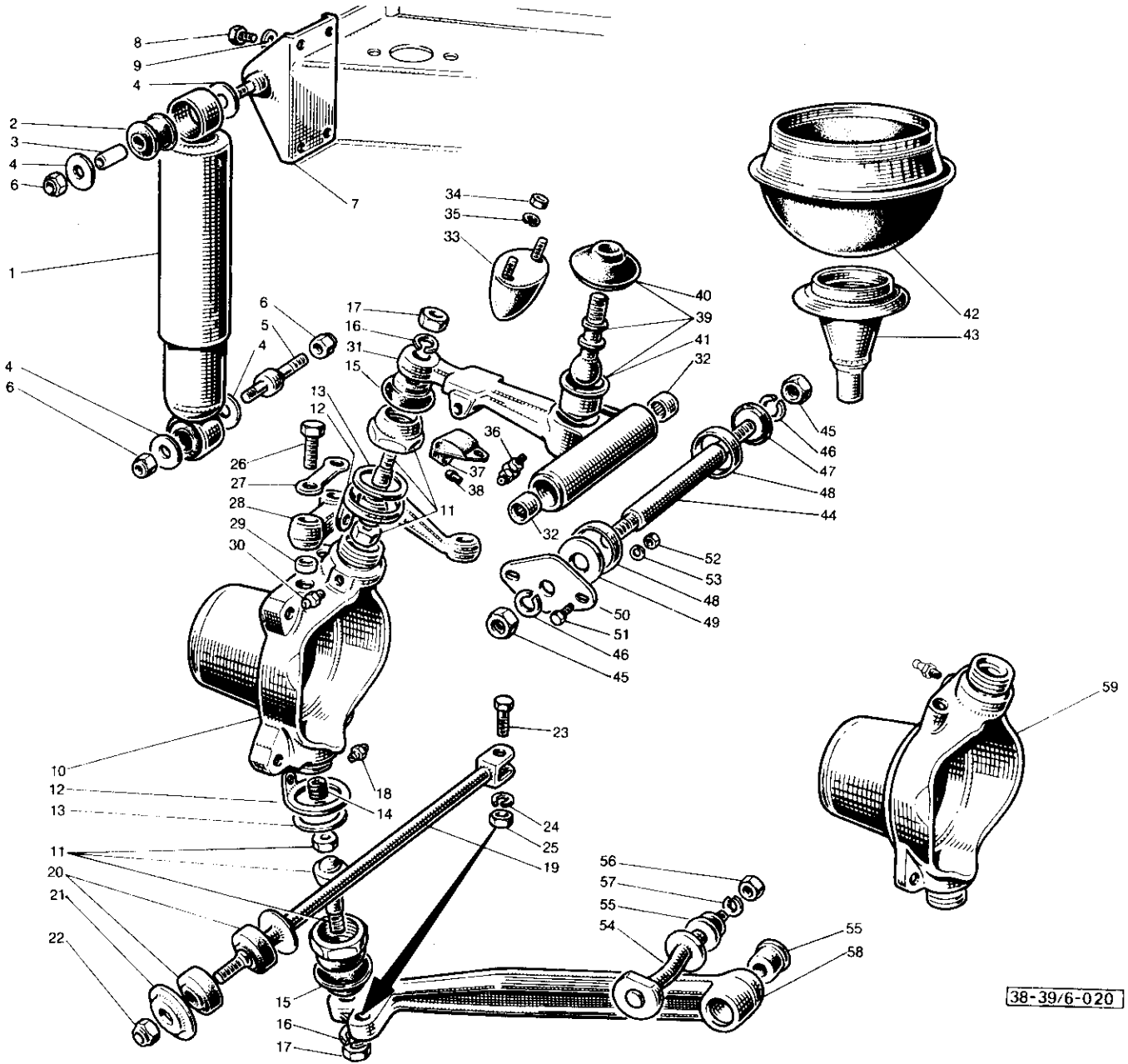


Ill. No.	Part No.	DESCRIPTION	Change Point	REMARKS
FRONT SUSPENSION				
1	GSA 101	ABSORBER ASSEMBLY—SHOCK—FRONT	2	
2	21A 1230	Ferrule	4	
3	21A 504	Sleeve	4	
4	AJD 7162	Washer	8	
5	2A 4337	Pin—anchor—bottom	2	
	21A 2694	Piece—distance	2] 1300 Quantity reduced for 1300 when 21A 2694 and HBZ 0632 are fitted
	HBZ 0632	Bolt—anchor—bottom	2	
6	53K 1663	Nut (Nyloc)	6/4	
7	21A 471	Bracket—mounting—RH	1	
7	21A 474	Bracket—mounting—LH	1	
8	HZS 0405	Screw	8	
9	LWZ 204	Washer—spring	8	
10	21A 371	Hub—swivel—RH	1] 1000, 1001 & Minimatic
10	21A 372	Hub—swivel—LH	1	
11	8G 4197	Kit—suspension—ball-pin	2	
12	2A 4238	Washer—lock	4	
13	21A 105	Shim—0.05 mm	A/R	
13	2A 4239	Shim—0.076 mm	A/R	
13	2A 4240	Shim—0.127 mm	A/R	
13	2A 4241	Shim—0.254 mm	A/R	
13	21A 529	Shim—0.508 mm	A/R	
14	21A 370	Spring	2	
15	BTA 377	Cover—dust	4	
16	LWZ 307	Washer—spring	4	
17	FNZ 507	Nut	4	
18	UHN 400	Lubricator	2	
19	8G 4249	Tie-rod assembly	2	
20	2A 4263	Pad	4	
21	ACA 9759	Washer—clip	2	
22	LNZ 207	Nut	2	
23	53K 1031	Bolt	2	
24	WL 600051	Washer—spring	2	
25	FNZ 505	Nut	2	
26	2A 4315	Screw	4	
27	2K 5377	Washer—lock	2	
28	BTA 894	Arm—steering—RH	1] 1300] 1000, 1001 & Minimatic
28	BTA 895	Arm—steering—LH	1	
28	BTA 896	Arm—steering—RH	1	
28	BTA 897	Arm—steering—LH	1	
29	2A 4314	Dowel—hollow	4	
30	UHN 400	Lubricator	2	
31	21A 2690	ARM ASSEMBLY—UPPER SUPPORT—RH	1	
	21A 2691	ARM ASSEMBLY—UPPER SUPPORT—LH	1	
32	88G 302	Bearing—needle roller	4	
33	2A 4332	Buffer—bump	2	
34	NH 604041	Nut	4	
35	LWZ 204	Washer—spring	4	
36	UHN 445	Lubricator	2	
37	2A 4267	Buffer—rebound	2	
38	13H 2776	Screw	2	
39	21A 1163	JOINT ASSEMBLY—KNUCKLE	2	
40	21A 425	Cover—dust	2	
41	21A 423	Socket—ball	2	
42	2A 4342	Cone—spring	2	
43	21A 530	Strut (aluminium)	2	



38-39/6-020

Ill. No.	Part No.	DESCRIPTION	Qty.	Change Point	REMARKS
FRONT SUSPENSION--continued					
44	2A 4325	Shaft--upper support arm	2		
45	FNZ 508	Nut	4		
46	LWZ 305	Washer--spring	4		
47	2A 7324	Washer--thrust	2		
48	2A 7327	Ring--sealing (rubber)	4		
49	2A 4326	Collar--thrust	2		
50	2A 4327	Plate--retaining	2		
51	SH 604061	Screw	4		
52	NH 604041	Nut	4		
53	LWZ 204	Washer--spring	4		
54	21A 1889	Shaft--lower wishbone arm	2		
55	21A 1882	Bush--shaft	4		
56	FNZ 506	Nut	2		
57	LWZ 206	Washer--spring	2		
58	21A 1879	Arm--lower wishbone--RH	1		
58	21A 1881	Arm--lower wishbone--LH	1		
59	BTA 186	Hub--swivel--RH	1] 1300
59	BTA 187	Hub--swivel--LH	1		