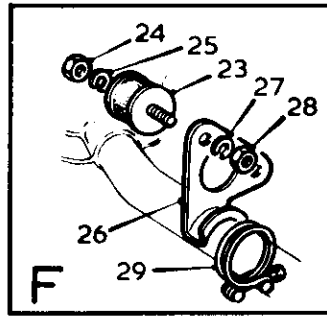
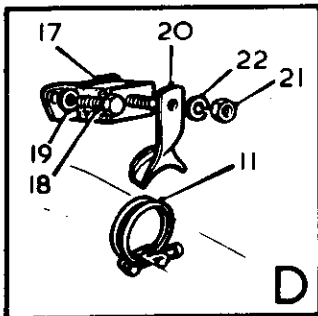
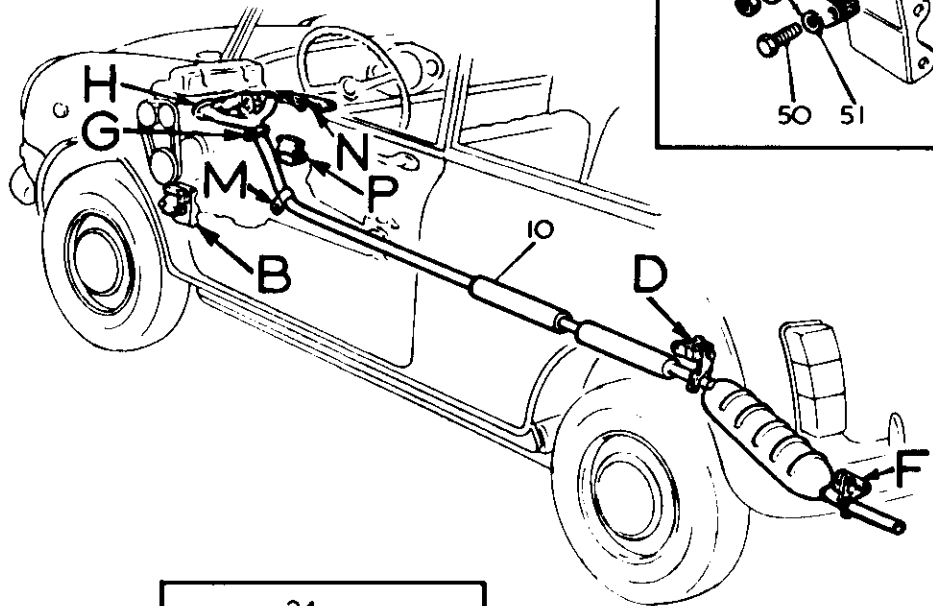
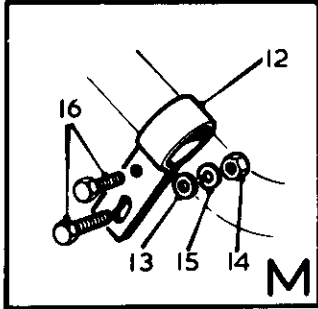
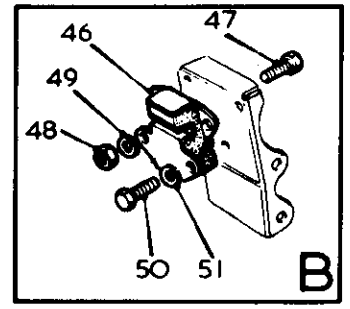
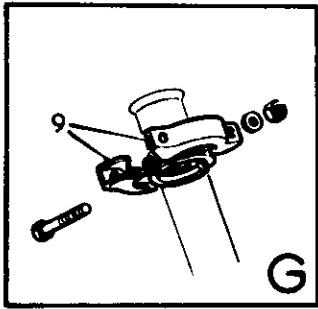
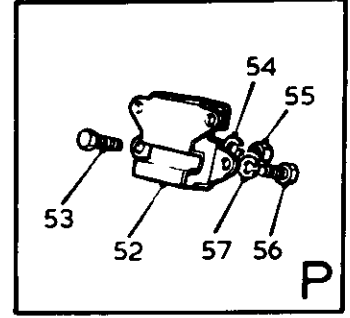
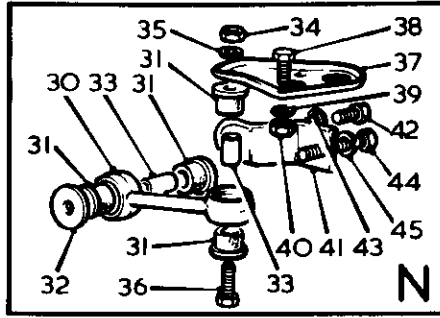
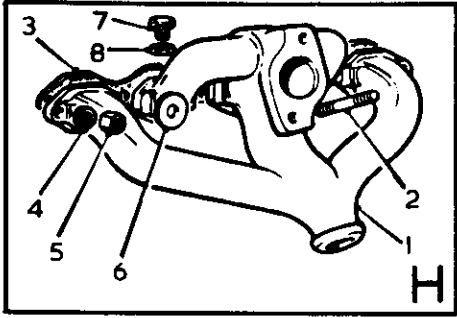


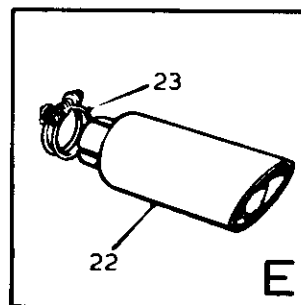
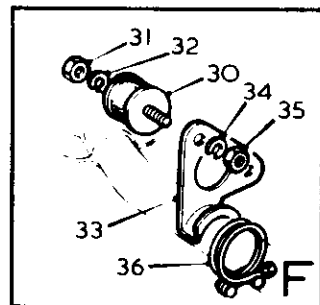
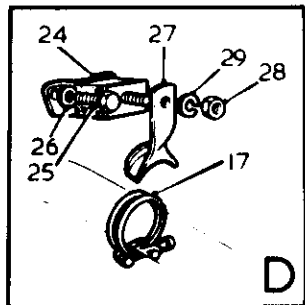
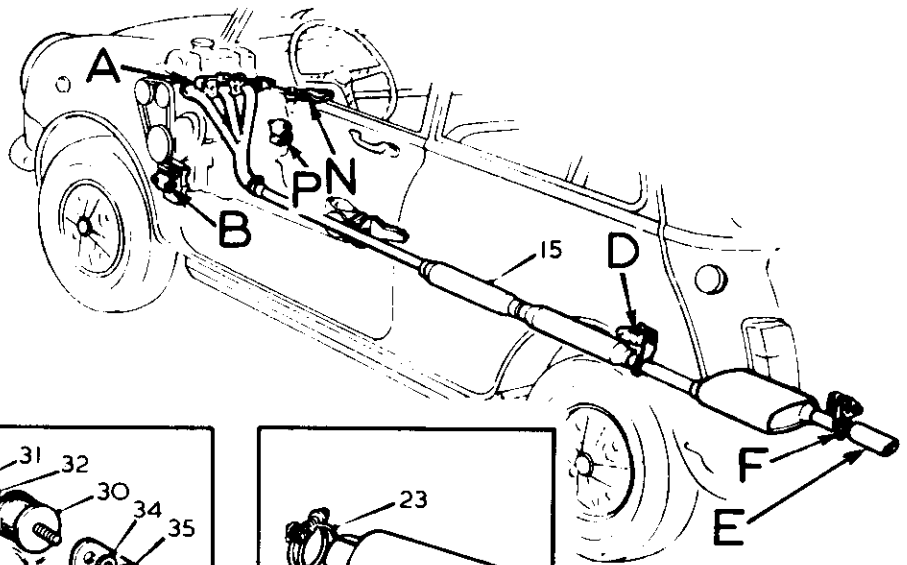
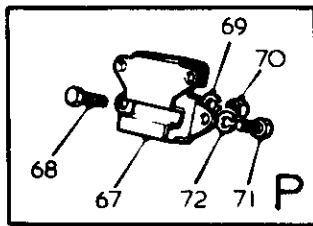
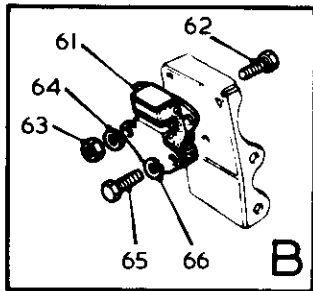
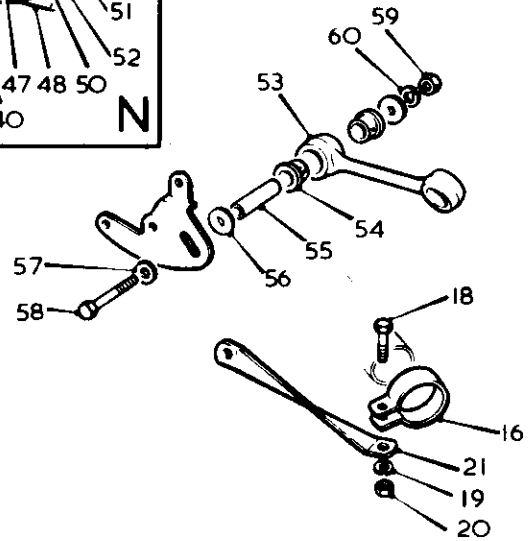
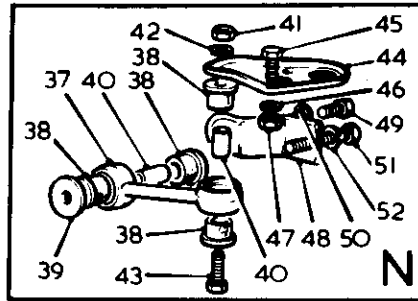
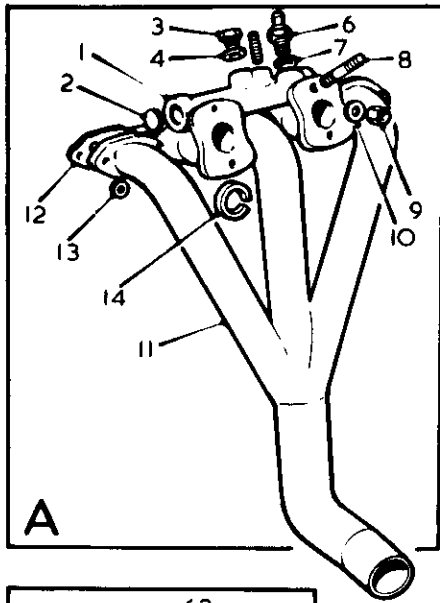
MDO274

Ill. No.	Part No.	DESCRIPTION	Qty.	Change Point	Remarks
<b>MANIFOLDS, EXHAUST PIPE AND GASKET SETS—1000/1001</b>					
	GEG 202	Gasket set—engine supplementary	1		
	GEG 101	Gasket set—engine decarbonising	1		
	GEG 804	Gasket set—transmission	1		
1	12G 3279	Manifold—inlet and exhaust	1		
2	CLS 2516	Stud	2		
3	GEG 601	Gasket—manifold	1		
4	WA 108051	Washer	2		
5	BNN 105	Nut—stud	6		
6	12A 1211	Washer	4		
7	ADP 210	Plug—manifold	1		
8	1B 3664	Washer—plug	1		
9	GEX 7047	Kit—clamp—exhaust	1		
10	AXE 515	Pipe assembly—exhaust	1		
11	GHC 1217	Clip	1		
12	AXE 516	Clip	1		
13	WA 108051	Washer—plain	1		
14	FNZ 105	Nut	2		
15	WL 600051	Washer—spring	2		
16	AXE 459	Screw	2		
17	GEX 7081	Mounting—pipe and silencer	1		
18	HZS 0505	Screw	2		
19	WL 600051	Washer—spring	2		
20	AXE 421	Bracket—pipe and silencer support	1		
21	NH 605041	Nut	1		
22	WL 600051	Washer	1		
23	GEX 7251	Mounting—tail (rubber)	2		
24	NH 605041	Nut	2		
25	WL 600051	Washer—spring	2		
26	AXE 424	Bracket—tail-pipe support	1		
27	WL 600051	Washer—spring	2		
28	NH 605041	Nut	2		
29	GHC 1217	Clip	1		



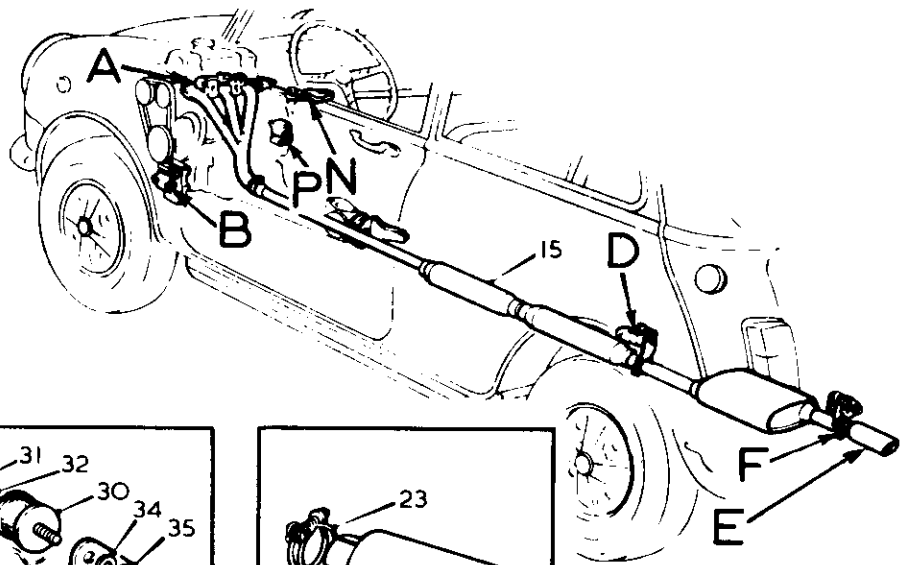
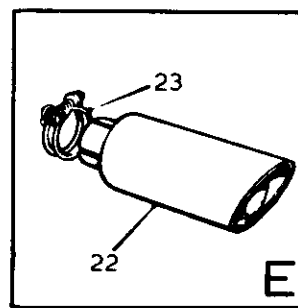
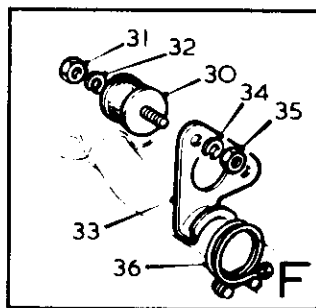
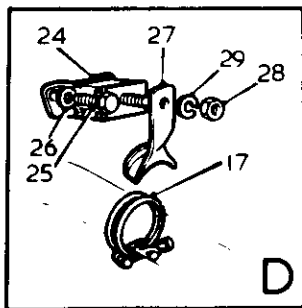
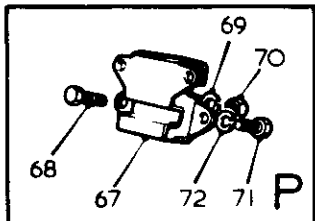
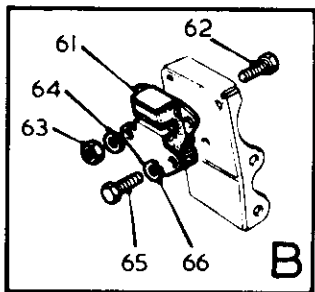
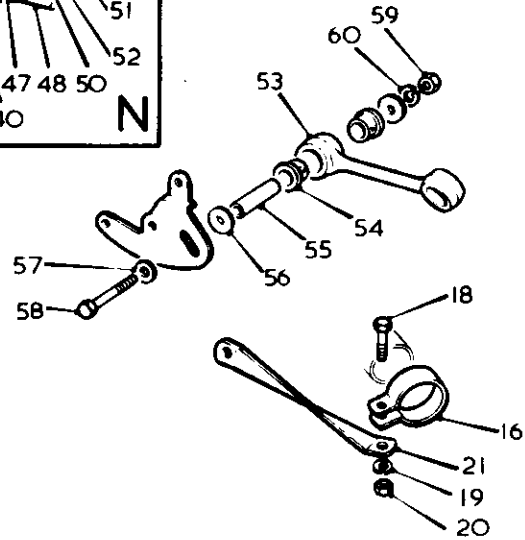
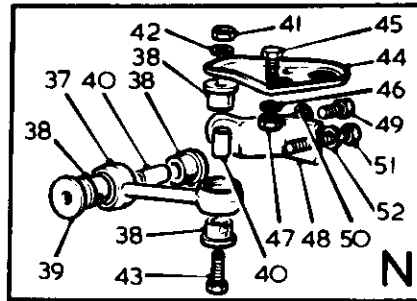
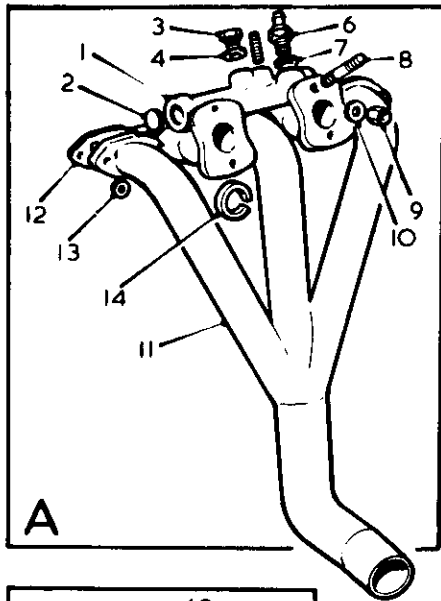
MDO274

Ill. No.	Part No.	DESCRIPTION	Qty.	Change Point	Remarks
<b>MANIFOLDS, EXHAUST PIPE AND GASKET SETS—1000/1001—continued</b>					
30	21A 1109	Rod—engine steady	1		
31	2A 5875	Bush—steady rod	4		
32	PWZ 405	Washer—plain	1		
33	21A 1108	Spacer—bracket	2		
34	NH 605041	Nut	1		
35	WL 600051	Washer—spring	1		
36	HBZ 0515	Screw	1		
37	ALA 6505	Plate—seating	1		
38	HZS 0506	Screw	4		
39	WL 600051	Washer—spring	4		
40	NH 605041	Nut	4		
41	21A 2387	Bracket—retaining—engine steady	1		
42	HZS 0505	Screw	1		
43	WL 600051	Washer—spring	1		
44	HBZ 0515	Screw	1		
45	WL 600051	Washer—spring	1		
46	21A 1902	Mounting—engine—front—LH	1		
47	HZS 0506	Bolt	2		
48	NH 605041	Nut	2		
49	WL 600051	Washer—spring	2		
50	HZS 0505	Screw	3		
51	WL 600051	Washer—spring	3		
52	21A 1902	Mounting—engine—front—RH	1		
53	HZS 0506	Screw	2		
54	WL 600051	Washer—spring	2		
55	NH 605041	Nut	2		
56	SH 505061	Screw	3		
57	WL 600051	Washer—spring	3		



MDO276

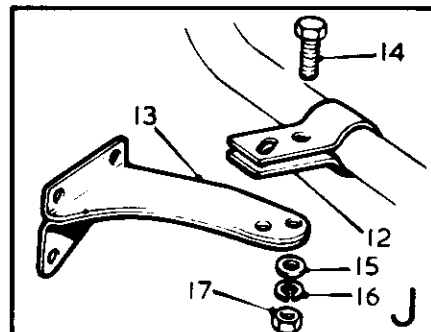
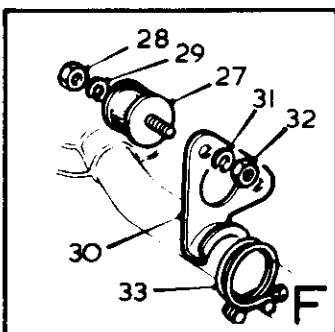
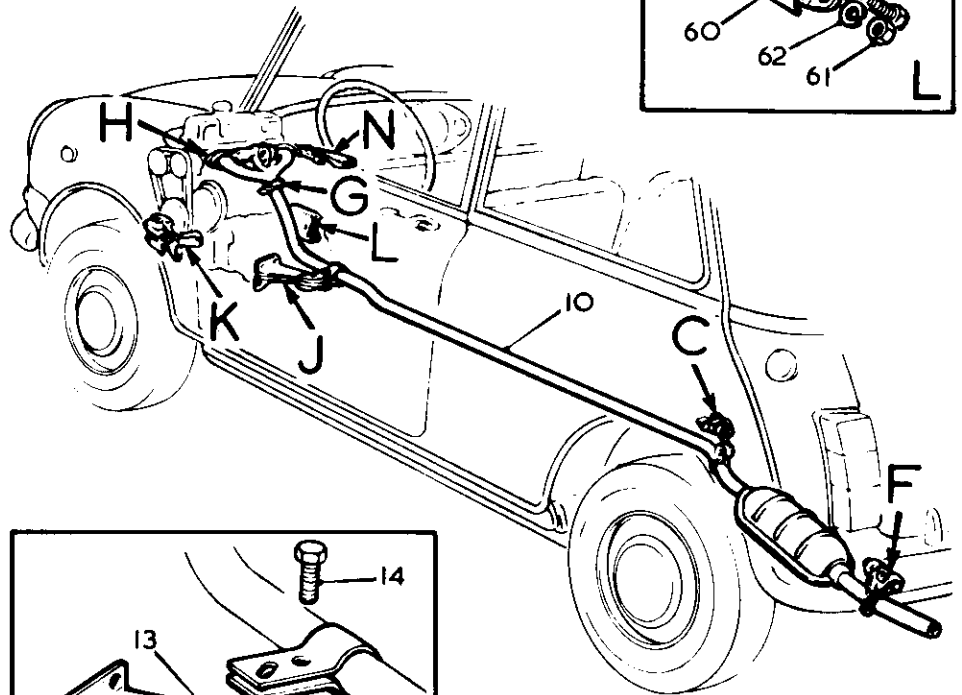
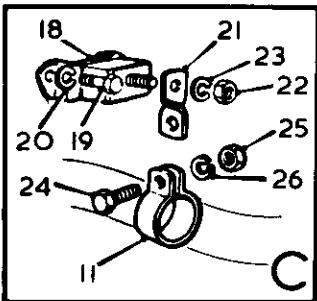
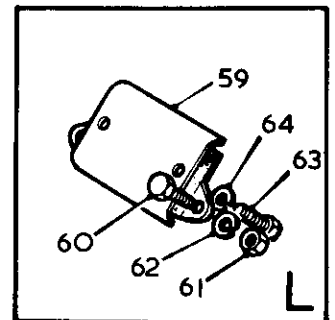
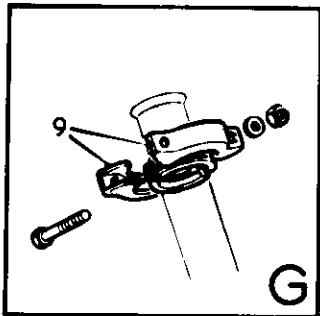
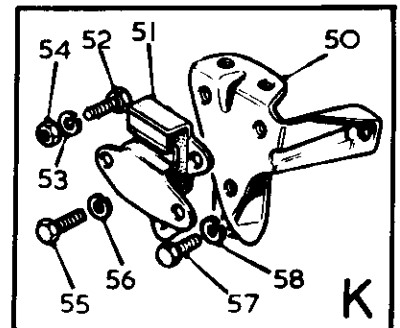
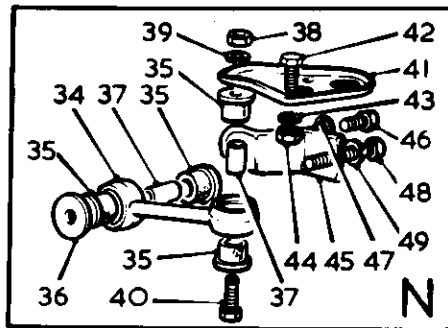
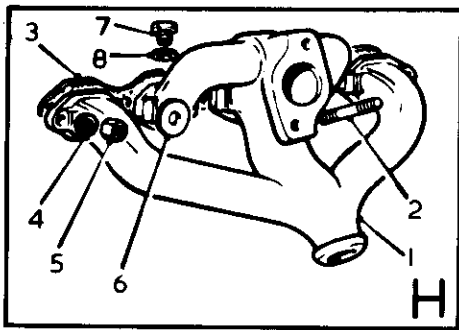
Ill. No.	Part No.	DESCRIPTION	Qty.	Change Point	Remarks
<b>MANIFOLDS, EXHAUST PIPE AND GASKET SETS—1300</b>					
	GEG 206	Gasket set—engine supplement	1		
	GEG 126	Gasket set—engine decarbonising	1		
	GEG 804	Gasket set—transmission	1		
1	12G 2463	Manifold—inlet	1		Use with 1 off ADP 210
2	AEG 491	Plug—manifold	2		
3	ADP 210	Plug—manifold	1		
4	1B 3664	Washer—plug	1		
6	AXE 27	Valve—non-return	1		
7	1B 3664	Washer—valve	1		
8	CHS 2614	Stud	4		
9	BNN 105	Nut—stud	6		
10	12A 1211	Washer	4		
11	12G 615	Manifold—exhaust	1		
12	GEG 601	Gasket—manifold	1		
13	WA 108051	Washer	2		
14	12G 297	Ferrule—inlet manifold	2		
15	AXE 422	Pipe assembly—exhaust	1		
16	GEX 7054	Clip	1		
17	GEX 1217	Clip	1		
18	ZCS 0508	Screw	1		
19	LWZ 305	Washer—spring	1		
20	AXE 446	Nut	1		
21	AXE 445	Bracket—exhaust steady	1		
22	AXE 423	Pipe—tail	1		
23	GHC 1217	Clip	1		
24	GEX 7081	Mounting—pipe and silencer	1		
25	HZS 0505	Screw	2		
26	WL 600051	Washer	2		
27	AXE 421	Bracket—pipe and silencer support	1		
28	NH 605041	Nut	1		
29	WL 600051	Washer	1		
30	GEX 7251	Mounting—tail pipe (rubber)	2		
31	NH 605041	Nut	2		
32	WL 600051	Washer—spring	2		
33	AXE 424	Bracket—tail pipe support	1		
34	WL 600051	Washer	2		
35	NH 605041	Nut	2		
36	GHC 1217	Clip	1		



MDO276

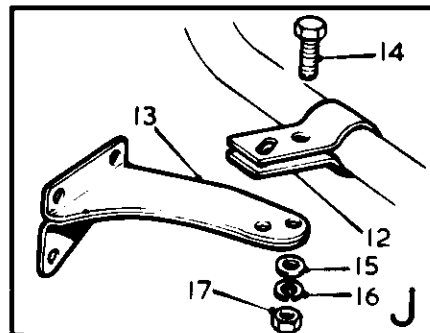
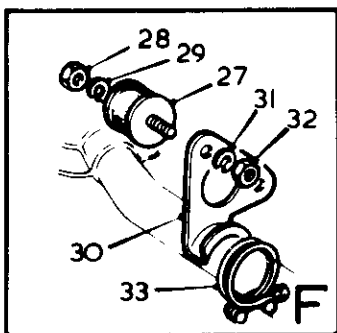
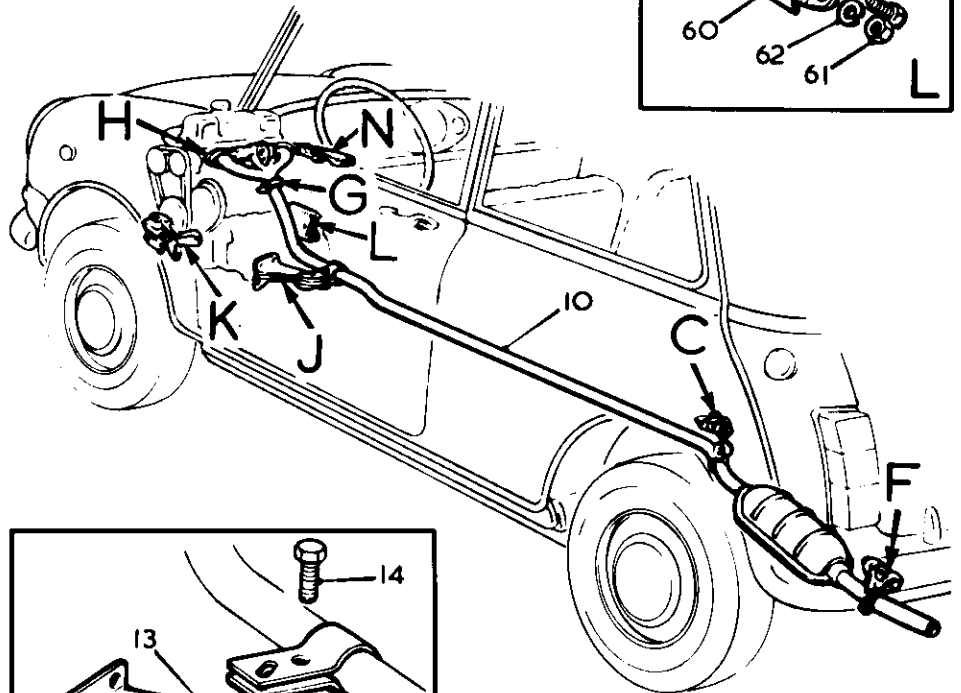
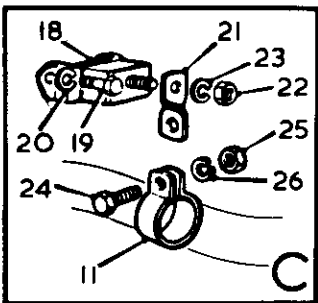
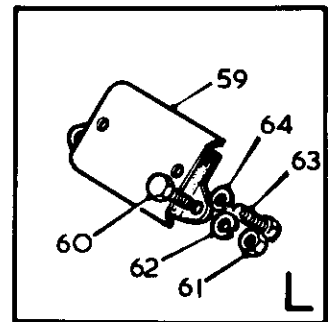
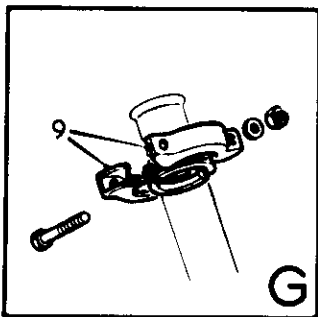
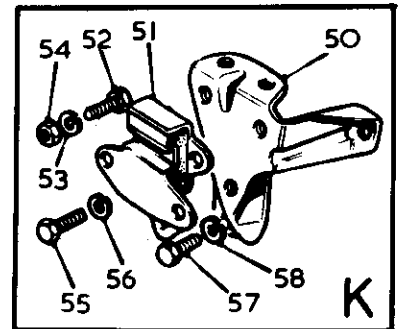
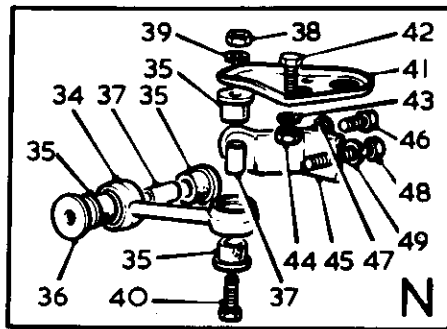
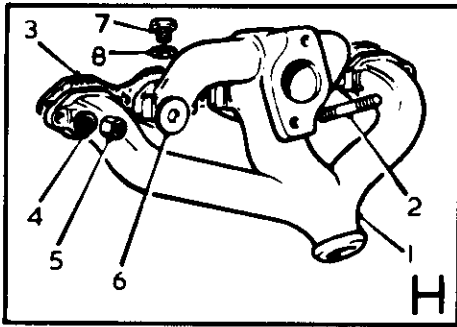
Ill. No.	Part No.	DESCRIPTION	Qty.	Change Point	Remarks
<b>MANIFOLDS, EXHAUST PIPE AND GASKET SETS—1300—continued</b>					
37	21A 1109	Rod—engine steady	1		
38	2A 5875	Bush—steady rod	4		
39	PWZ 405	Washer—plain	1		
40	21A 1108	Spacer	2		
41	NH 605041	Nut	1		
42	WL 600051	Washer	1		
43	HBZ 0515	Screw	1		
44	ALA 6505	Plate—seating	1		
45	HZS 0506	Screw	4		
46	WL 600051	Washer—spring	4		
47	NH 605041	Nut	4		
48	21A 2387	Bracket—retaining—engine steady	1		
49	HZS 0505	Screw	1		
50	WL 600051	Washer—spring	1		
51	HBZ 0515	Screw	1		
52	WL 600051	Washer—spring	1		
53	21A 2569	Rod—engine steady—lower	1		
54	2A 5875	Bush—steady bracket	4		
55	31G 1085	Tube—distance	1		
56	PWZ 306	Washer—plain	3		
57	WA 110061	Washer—plain	2		
58	HBZ 0618	Screw	2		
59	FNZ 106	Nut	2		
60	WL 600041	Washer—spring	2		
61	21A 1902	Mounting—engine—front—LH	1		
62	HZS 0506	Bolt	2		
63	NH 605041	Nut	2		
64	WL 600051	Washer—spring	2		
65	HZS 0505	Screw	3		
66	WL 600051	Washer—spring	3		
67	21A 1902	Mounting—engine—front—RH	1		
68	HZS 0506	Screw	2		
69	WL 600051	Washer—spring	2		
70	NH 605041	Nut	2		
71	SH 505061	Screw	3		
72	WL 600051	Washer	3		





MDO275

Ill. No.	Part No.	DESCRIPTION	Qty.	Change Point	Remarks
<b>MANIFOLDS, EXHAUST PIPES AND GASKET SETS--MINIMATIC</b>					
	GEG 254	Gasket set--engine supplementary	1		
	GEG 101	Gasket set--engine decarbonising	1		
1	12G 3279	Manifold--inlet and exhaust	1		
2	CLS 2516	Stud	2		
3	GEG 601	Gasket--manifold	1		
4	WA 108051	Washer	2		
5	BNN 105	Nut--stud	6		
6	12A 1211	Washer	4		
7	ADP 210	Plug--manifold	1		
8	1B 3664	Washer--plug	1		
9	GEX 7047	Kit--clamp--exhaust	1		
10	AXE 456	Pipe assembly--exhaust	1		
11	GEX 7052	Clip--mounting--rear	1		
12	AXE 457	Clip--mounting--front	1		
13	22A 1060	Bracket--support--front--exhaust	1		
14	AXE 459	Screw--clip to bracket	1		
15	PWZ 105	Washer--plain	1		
16	WL 600051	Washer--spring	1		
17	FNZ 105	Nut	1		
18	GEX 7081	Mounting--pipe and silencer	1		
19	HZS 0505	Screw	2		
20	WL 600051	Washer--spring	2		
21	2A 2203	Support--rear	1		
22	NH 605041	Nut	1		
23	WL 600051	Washer	1		
24	HZS 0507	Screw	1		
25	NH 605041	Nut	1		
26	WL 600051	Washer--spring	1		
27	GEX 7251	Mounting--tail pipe (rubber)	2		
28	NH 605041	Nut	2		
29	WL 600051	Washer--spring	2		
30	AXE 424	Bracket--tail pipe support	1		
31	WL 600051	Washer--spring	2		
32	NH 605041	Nut	2		
33	GHC 1217	Clip	1		



Ill. No.	Part No.	DESCRIPTION	Qty.	Change Point	Remarks
<b>MANIFOLDS, EXHAUST PIPES AND GASKET SETS—MINIMATIC—continued</b>					
34	21A 1817	Rod—engine steady	1		
35	2A 5875	Bush—steady rod	4		
36	PWZ 405	Washer—plain	1		
37	21A 1108	Spacer—bracket	2		
38	NH 605041	Nut	1		
39	WL 600051	Washer—spring	1		
40	HBZ 0515	Screw	1		
41	ALA 6505	Plate—seating	1		
42	HZS 0506	Screw	4		
43	WL 600051	Washer—spring	4		
44	NH 605041	Nut	4		
45	21A 2387	Bracket—retaining—engine steady	1		
46	HZS 0505	Screw	1		
47	WL 600051	Washer—spring	1		
48	HBZ 0515	Screw	1		
49	WL 600051	Washer—spring	1		
50	21A 1274	Bracket—radiator housing	1		
51	22A 1018	Engine—mounting—rubber—LH	1		
52	HZS 0506	Screw	2		
53	WL 600051	Washer—spring	2		
54	NH 605041	Nut	2		
55	HZS 0505	Screw	3		
56	WL 600051	Washer—spring	3		
57	ZCS 0505	Screw	1		
58	LWZ 305	Washer—spring	1		
59	22A 917	Engine—mounting—rubber—RH	1		
60	HZS 0506	Screw	2		
61	NH 605041	Nut	2		
62	WL 600051	Washer—spring	2		
63	HZS 0505	Screw	2		
64	WL 600051	Washer—spring	2		