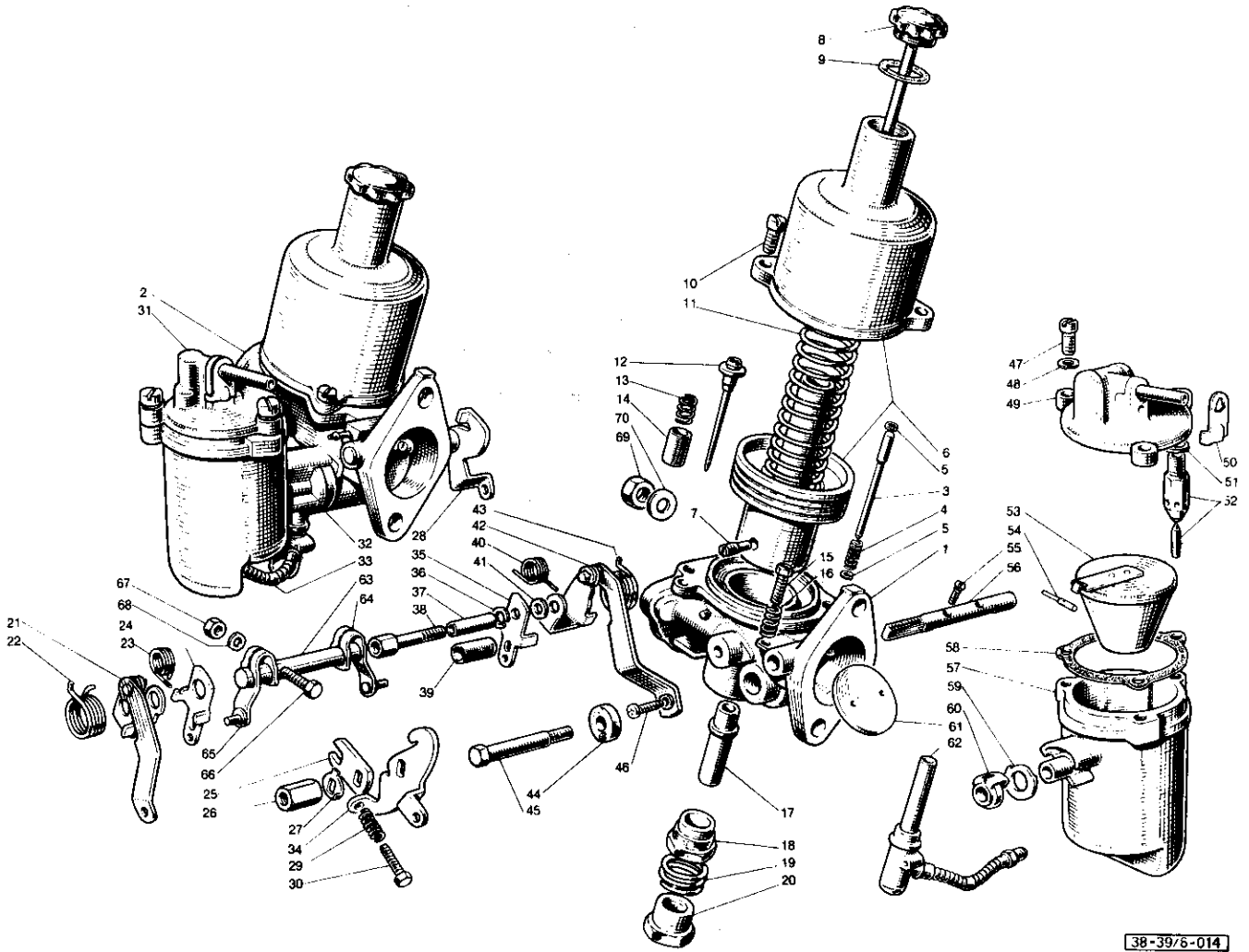
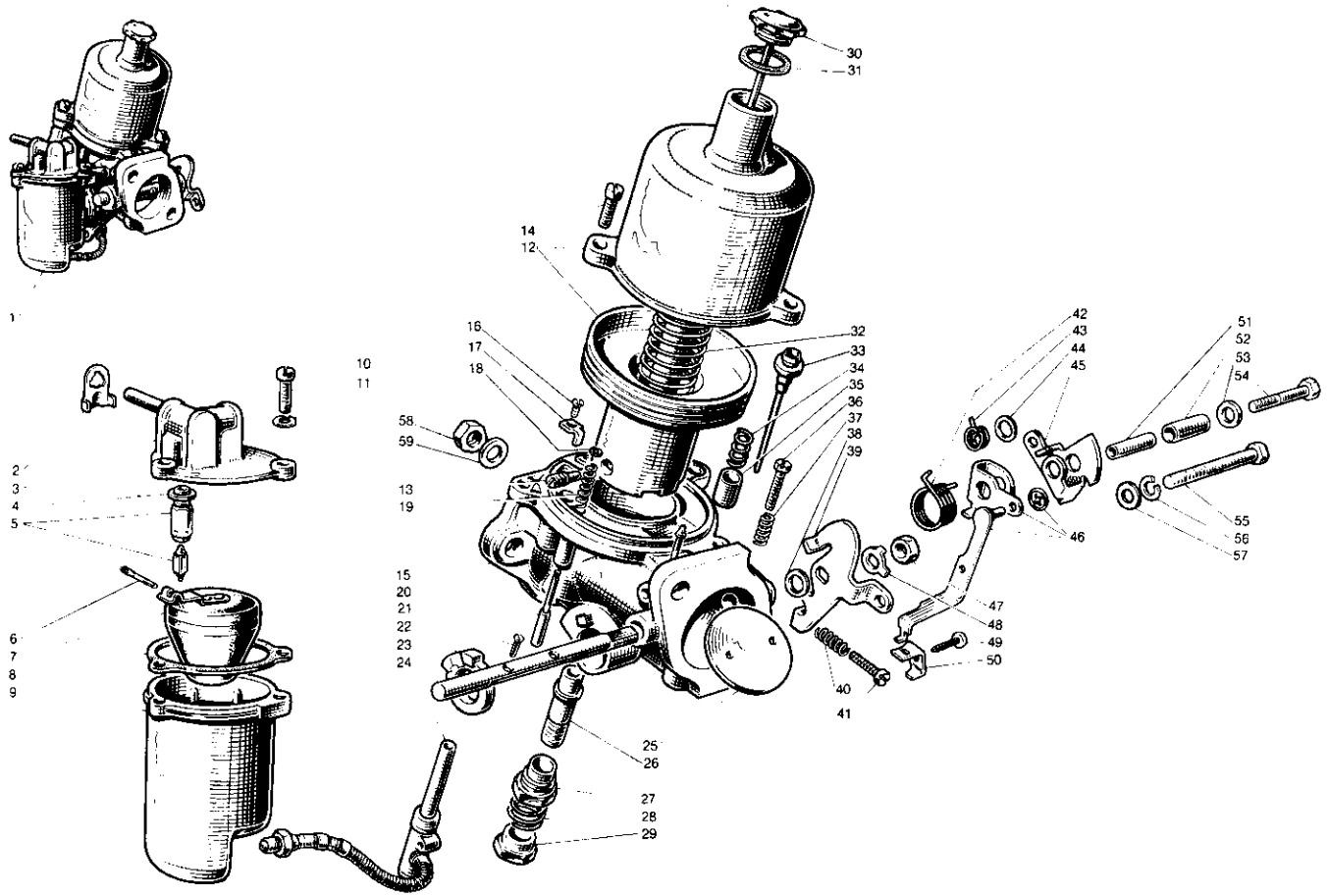


Ill. No.	Part No.	DESCRIPTION	Qty.	Change Point	REMARKS
		CARBURETTER			
		CARBURETTER—COOPER 1300			
	AXE 140	CARBURETTER ASSEMBLY—LEFT	1		
	AXE 139	CARBURETTER ASSEMBLY—RIGHT	1		
1	AUD 9990	Body—left	1		
2	AUD 9996	Body—right	1		
3	AUC 8464	Pin—piston lift	2		
4	AUC 1151	Spring—pin	2		
5	AUC 1250	Circlip	4		
6	AXE 142	Chamber and piston	2		
7	AUD 3308	Screw—needle locking	2		
8	AUC 8103	Cap and damper	2		
9	AUC 4900	Washer (fibre)	2		
10	AUC 5156	Screw—chamber to body	4		
11	AUC 4587	Spring—piston	2		
12	CUD 1013	Needle	2		
13	AUD 3306	Spring	2		
14	AUD 3836	Guide—needle	2		
15	AUC 8483	Screw—throttle stop	2		
16	AUC 2451	Spring	2		
17	AUD 3414	Bearing—jet	2		
18	AUC 2002	Screw—jet locking	2		
19	AUC 2114	Spring—jet locking	2		
20	AUC 8461	Screw—jet adjusting	2		
21	CUD 2687	Lever—link	1		
22	AUC 1375	Spring—pick-up lever—right	1		
23	AUD 2431	Spring—cam lever—right	1		
24	AUD 3288	Lever—cam—right	1		
25	AUC 1400	Lever—lost motion	2		
26	AUC 1424	Nut	2		
27	AUD 3323	Washer—tab	2		
28	AUD 2101	Lever—right	1		
29	AUC 2451	Spring—screw	2		
30	AUC 8483	Screw—throttle stop	2		
31	AUD 9203	Lid—float chamber—right	1		
32	AUC 1336	Grommet (rubber)	1		
33	AUD 9142	Jet—right	1		



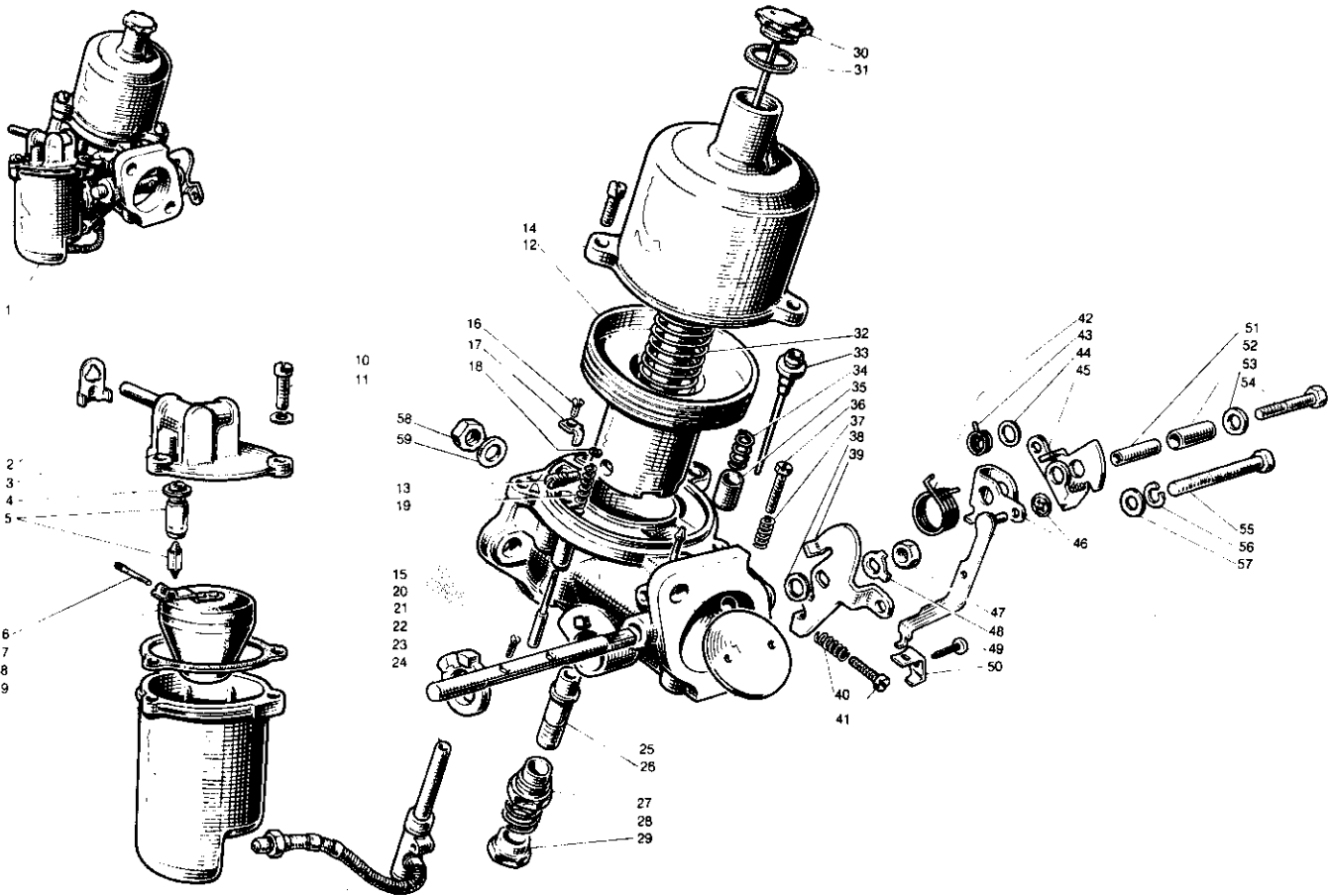
38-39/6-014

Ill. No.	Part No.	DESCRIPTION	Qty.	Change Point	REMARKS
CARBURETTER—COOPER 1300—continued					
34	AUC 1145	Lever—throttle—left	1		
35	AUD 3287	Lever—cam—left	1		
36	AUD 2429	Washer	2		
37	AUC 8473	Tube—pivot bolt	2		
38	AUC 1426	Bolt—pivot	2		
39	AUD 2430	Tube—outer	2		
40	AUD 2432	Spring—cam lever—left	1		
41	AUD 2433	Washer—distance	2		
42	CUD 2686	Lever—link—pick-up—left	1		
43	AUC 8462	Spring—pick-up lever—left	1		
44	AUC 1318	Washer (rubber)	2		
45	AUD 2891	Bolt—float chamber	2		
47	AUC 2175	Screw—chamber to body	6		
46	AXE 752	Screw—lever	2		
48	LWZ 303	Washer	6		
49	AUD 9258	Lid—float chamber—left	1		
50	AUC 1215	Plate—baffle—lid	2		
51	AXE 28	Washer	2		
52	AUD 9095	Needle and seat	2		
53	AUD 9904	Float	2		
54	AUC 1152	Pin—hinge	2		
55	AUC 1358	Screw—disc	4		
56	AUC 8469	Spindle—throttle	2		
57	AUC 1310	Chamber—float	2		
58	AUC 8459	Gasket	2		
59	AUC 1329	Washer—support	2		
60	AUC 1316	Grommet	1		
61	AUC 2169	Disc—throttle	2		
62	AUD 9141	Jet—left	1		
63	AUC 1461	Rod—jet connecting	1		
64	AUE 587	LEVER ASSEMBLY	1		
65	AUE 586	LEVER ASSEMBLY	1		
66	AUC 2694	Bolt—lever to spindle	2		
67	AJD 8012 Z	Nut	2		
68	AUC 8396	Washer—steel	2		
69	FNZ 206	Nut	4		
70	LWZ 406	Washer—spring	4		



38-39/6-013

III. No.	Part No.	DESCRIPTION	Qty.	Change Point	REMARKS
CARBURETTER-1000, 1001 & MINIMATIC					
1	AXE 495	CARBURETTER ASSEMBLY	1		1000 & 1001
1	AXE 505	CARBURETTER ASSEMBLY	1		Minimatic
15	CUD 2111	BODY	1		1000 & 1001
15	CUD 2143	BODY	1		Minimatic
16	AXE 632	Screw—key	1		
17	AXE 633	Key	1		
20	AUC 1249	Pin—piston lift	1		
19	AUC 1151	Spring—pin	1		
18	AUC 1250	Circlip	2		
12	AXE 496	Chamber and piston	1		1000 & 1001
12	AXE 506	Chamber and piston	1		Minimatic
13	AUD 3308	Screw—needle locking	1		1000 & 1001
13	AUC 2057	Screw—needle locking	1		Minimatic
30	AUC 8103	Cap and damper	1		
31	AUC 4900	Washer (fibre)	1		
14	AUC 5156	Screw—chamber to body	2		
32	AUC 4387	Spring—piston—Red	1		
33	CUD 1015	Needle—AAR	1		1000 & 1001
33	AUD 1522	Needle—DL (rich)	1] Minimatic
33	AXE 507	Needle—C2 (normal)	1		
33	AUD 1468	Needle—GY (weak)	1		
34	AUD 3306	Spring	1		
35	AUD 3836	Guide—needle	1		
36	AUC 8483	Screw—throttle stop	1		
37	AUC 2451	Spring	1		
26	AUD 3414	Bearing—jet	1		1000, 1001 & 1300
26	AUC 8460	Bearing—jet	1		Minimatic
27	AUC 2002	Screw—jet locking	1		
28	AUC 2114	Spring—jet locking	1		
29	AUC 8461	Screw—jet adjusting	1		
42	AUC 1375	Spring—pick-up lever	1		
48	AUD 3323	Washer—tab	1		
40	AUC 2451	Spring—screw	1		
41	AUC 8483	Screw—throttle stop	1		
3	AUD 9203	Lid—float chamber	1		
24	AUD 9451	Jet assembly	1		



38-39/6-013

Ill. No.	Part No.	DESCRIPTION	Qty.	Change Point	Remarks
CARBURETTER—1000, 1001 & MINIMATIC—continued					
39	AUD 2787	Lever—throttle return	1		
45	AUD 2859	Lever—cam	1		
44	AUD 2429	Washer	1		
51	AUC 8473	Tube—pivot bolt	1		
54	AUC 8400	Bolt—pivot	1		
52	AUD 2430	Tube—outer	1		
43	AUD 2432	Spring—cam lever	1		
53	AUD 2433	Washer—distance	1		
46	AUD 9663	Lever and link—pick-up	1		
10	AUC 2175	Screw—chamber to body	3		
11	LWZ 303	Washer—spring	3		
4	AXE 28	Washer—needle and seat	1		
5	AUD 9095	Needle and seat	1		1000 & 1001 Minimatic
5	AUD 9096	Needle and seat	1		
7	AUD 9904	Float	1		
6	AUC 1152	Pin—hinge	1		
21	AUC 1358	Screw—disc	2		
9	AUC 1310	Chamber—float	1		
8	AUC 8459	Gasket	1		
25	AUC 3116	Disc—throttle	1		
23	AUC 1302	Spindle—throttle	1		
22	AUD 2676	Adaptor (rubber)	1		
38	AUC 2625	Washer—spacing	1		
47	AJD 8104Z	Nut—bolt	1		
49	PJP 604	Screw—link	1		
50	AUD 2428	Bracket—jet link	1		
2	AUC 1215	Plate—baffle	1		
55	BH 504161	Bolt	1		
56	LWZ 304	Washer—spring	1		
57	WA 106041	Washer—plain	1		
58	NH 605041	Nut	2		
59	WE 600051	Washer—lock	2		