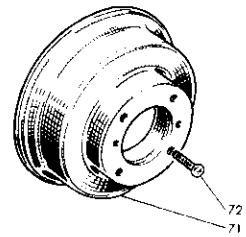
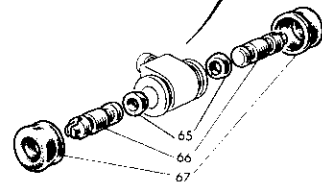
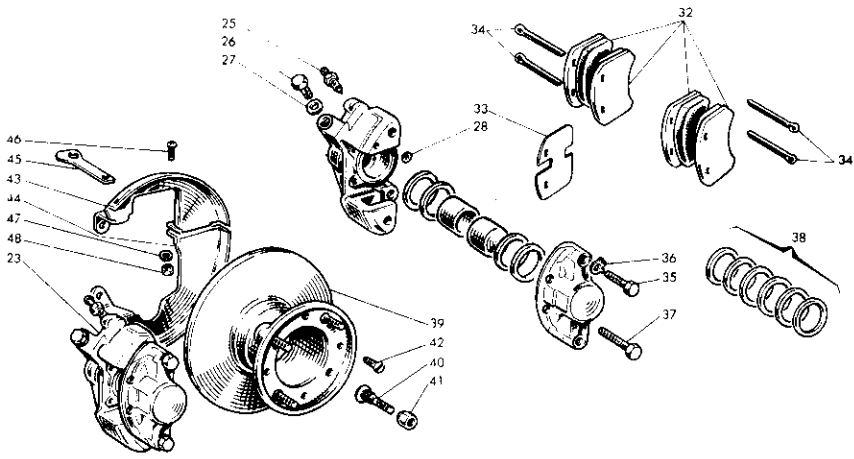
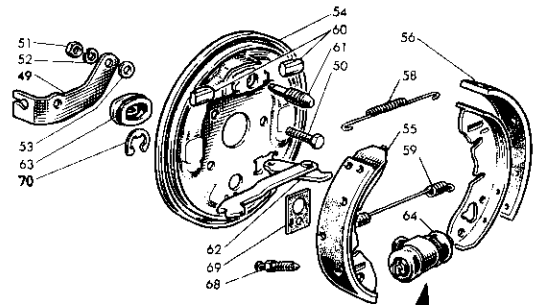
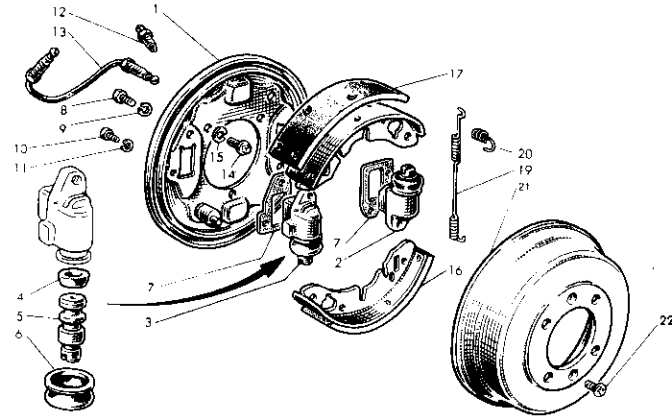


38-39-025

Ill. No.	Part No.	DESCRIPTION	Qty.	Change Point	REMARKS
CALLIPER UNIT AND BRAKES					
1	37H 2013	Backplate—RH—front brake	1		1000 & 1001
1	37H 2014	Backplate—LH—front brake	1		
2	GWC 104	CYLINDER ASSEMBLY—WHEEL—RH— FRONT BRAKE	2		
3	GWC 105	CYLINDER ASSEMBLY—WHEEL—LH FRONT BRAKE	2		
	8G 8094	REPAIR KIT—FRONT WHEEL CYLINDER	1		
4	NSP	Seal	1		
5	37H 2017	Piston	1		
6	NSP	Boot (rubber)	1		
7	37H 3833	Washer—joint—wheel cylinder	4		
8	HZS 0505	Bolt—wheel cylinder fixing	4		
9	WL 600051	Washer—spring	4		
10	7H 7520	Fixing bolts (small)	4		
11	LWZ 204	Washer—spring	4		
12	3H 2428	Screw—bleeder	2		
13	21A 1206	Pipe—wheel cylinder to wheel cylinder—RH	1		
13	21A 1207	Pipe—wheel cylinder to wheel cylinder—LH	1		
14	21A 1299	Screw—backplate to swivel hub	6		
15	WL 600051	Washer—spring	6		
16	GBS 102	BRAKE SHOE SET	2		
17	8G 8815	Brake lining and rivets	1 set		
19	17H 8184	Spring—brake shoe return—RH	2		
19	17H 8185	Spring—brake shoe return—LH	2		
20	27H 3753	Spring—piston	4		
21	21A 22	Brake drum	4		
22	CMZ 0411	Screw—brake drum	8		
23	27H 4657	UNIT ASSEMBLY—CALLIPER—LH	1		
23	27H 4656	UNIT ASSEMBLY—CALLIPER—RH	1		
25	3H 2428	Screw—bleed	2		
26	17H 8629	Plug	2		
27	3H 550	Washer—joint	2		
28	17H 8764	Seal	2		
32	GBP 103	Pad—friction	1		
33	17H 8630	Shim—anti-squeal	4		
34	AXE 650	Pin—cotter	4		
35	17H 8766	Bolt—bridge	4		
36	27H 8301	Washer	4		
37	53K 1048	Bolt—swivel hub	4		
38	8G 8830	Kit—repair	2		
39	21A 1265	DISC—BRAKE ASSEMBLY	2		
40	21A 2064	Stub—wheel	8		
41	AXE 209	Nut	8		
42	CMZ 0422	Screw	4		
43	21A 1274	Cover—disc top—LH	1		
43	21A 1273	Cover—disc top—RH	1		
44	21A 1272	Cover—disc—bottom—LH	1		
44	21A 1271	Cover—disc—bottom—RH	1		
45	BTA 1208	Bracket—support—RH	1		
45	BTA 1209	Bracket—support—LH	1		
46	PMZ 0307	Screw	4		
47	LWZ 203	Washer—spring	4		
48	NZS 103	Nut	4		
					1300



38-39-025

Ill. No.	Part No.	DESCRIPTION	Qty.	Change Point	REMARKS
CALLIPER UNIT AND BRAKES—continued					
49	21A 1669	Bracket—hand brake cable—RH	1		
49	21A 1670	Bracket—hand brake cable—LH	1		
50	HZS 0508	Screw	6		
51	NH 605041	Nut	6		
52	WL 600051	Washer	6		
53	AXE 651	Washer—plain	4		
54	21A 1058	Plate—brake—RH	1		
54	21A 1060	Plate—brake—LH	1		
55	GBS 101	SHOE ASSEMBLY—BRAKE	2		
56	8G 8800	Lining and rivets	1 set		
58	17H 7621	Spring—brake shoe return—adjuster end	2		
59	17H 8092	Spring—brake shoe return—cylinder end	2		
60	17H 7618	Tappet	4		
61	17H 7619	Wedge	2		
62	17H 7844	Lever—hand brake—RH	1		
62	17H 7610	Lever—hand brake—LH	1		
63	17H 7612	Boot—hand brake lever	2		
64	GWC 1101	CYLINDER ASSEMBLY—WHEEL	2		1300
64	GWC 1102	CYLINDER ASSEMBLY—WHEEL	2		1000, 1001 & Minimatic
66	17H 8772	Piston	4		1300
66	17H 8399	Piston	4		1000, 1001 & Minimatic
68	17H 7623	Screw—bleed	2		
	8G 8801	KIT—REPAIR	1		1300
	8G 8797	KIT—REPAIR	1		1000, 1001 & Minimatic
65	NSP	Seal	2		
67	NSP	Boot—rubber	2		
69	37H 4642	Gasket	2		
70	17H 7949	Clip—spring	2		
71	21A 1279	Drum—brake	2] 1300
72	CMZ 0422	Screw	4		