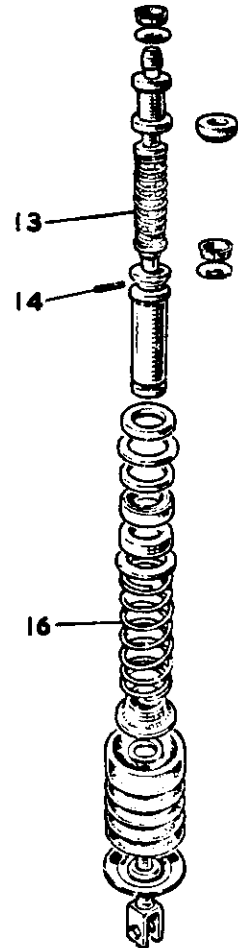
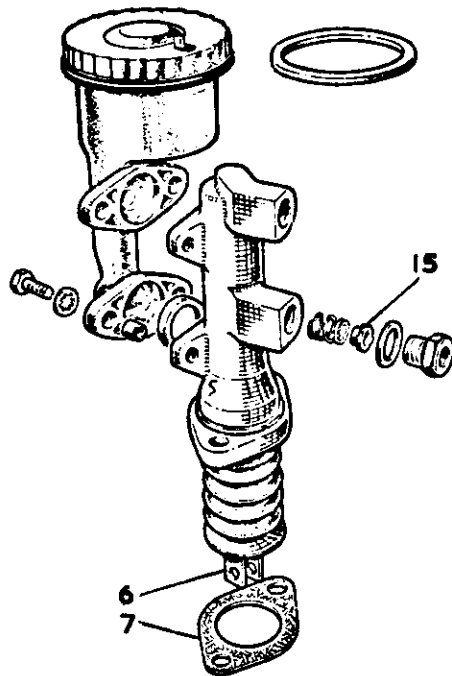
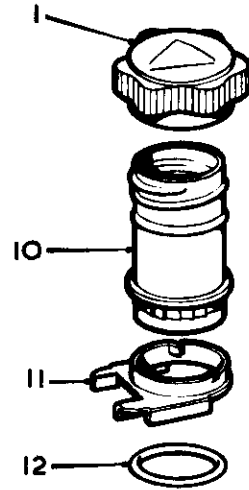
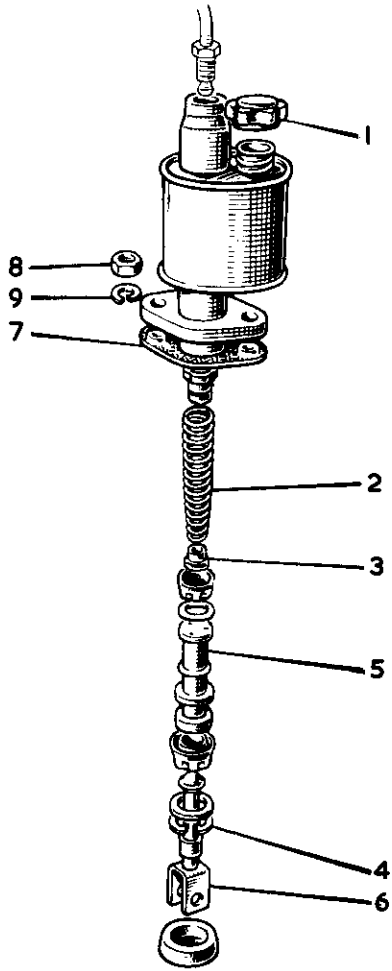
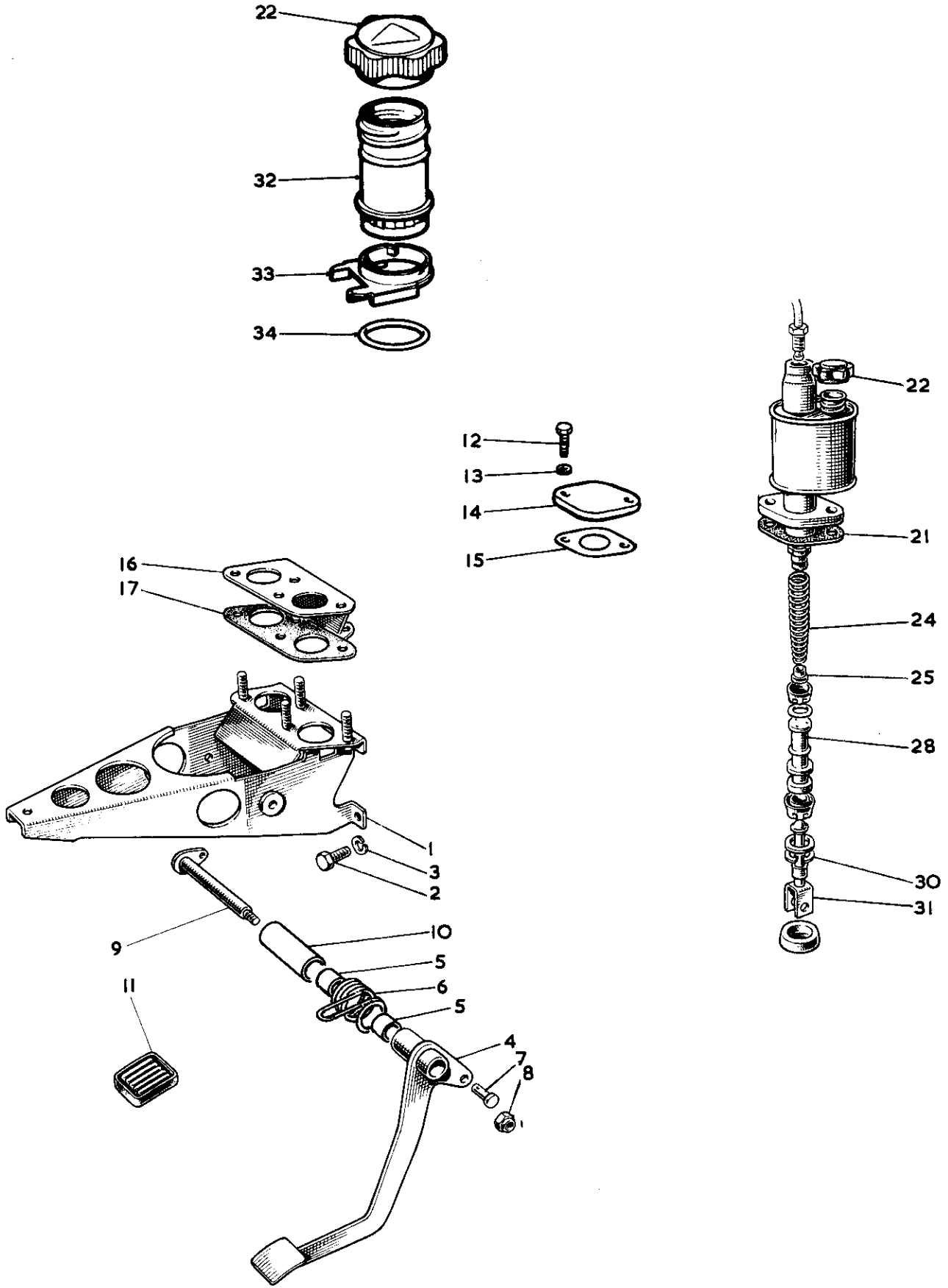


Ill No.	Part No.	DESCRIPTION	Qty.	Change Point	REMARKS
<b>MASTER CYLINDER AND PEDALS</b>					
1	2A 5866	PEDAL ASSEMBLY-CLUTCH	1		1000
1	AXE 410	PEDAL ASSEMBLY-CLUTCH	1		1001 & 1300
2	2A 3034	Bush	2		] 1000, 1001 & 1300
3	2A 5652	Spring-pedal return	1		
4	2A 5880	Shaft-brake and clutch pedal	1		1300
5	2A 5865	Pad-pedal rubber	2		1000
5	AXE 414	Pad-pedal rubber	2		1001 & 1300
6	AXE 462	PEDAL ASSEMBLY-BRAKE	1		1000
6	AXE 412	PEDAL ASSEMBLY-BRAKE	1		1001 & 1300
7	2A 3034	Bush	2		] 1000, 1001 & 1300
8	AXE 417	Pin-clevis	2		
9	LNZ 205	Nut	1		
10	21A 2467	Bracket-brake and clutch	1		
11	AXE 418	Screw	2		
12	WL 600051	Washer-spring	2		
13	AXE 3	Plate-adaptor	1		
14	ALA 6598	Gasket-plate (rubber)	1		
	21A 2063	CYLINDER ASSEMBLY-CLUTCH MASTER	1		
16	17H 6861	Cap-filler	1		
17	27H 7751	Spring-piston return	1		
18	17H 7554	Retainer spring	1		
21	AXE 757	Piston	1		
23	17H 7560	Circlip	1		
24	AXE 758	Push-rod	1		Supplied in 7 metre rolls
	8G 8424	Kit-repair	1		] 1000, 1001 & 1300
26	37H 7147 M	Pipe-master cylinder to hose	A/R		
	3H 2249	Nut-tube	1		
27	2K 8686	Nut-lock	1		
28	LWZ 510	Washer	1		
29	13H 300	Hose	1		
30	3H 2287	Washer-flexible hose	1		
31	FNZ 505	Nut	2		
32	LWZ 405	Washer-spring	2		
33	31G 279	Gasket-master cylinder	1		
34	ZCS 0610	Screw	2		
	22A 233	CYLINDER ASSEMBY-CLUTCH OPERATING	1		
36	3H 2428	Screw-bleed	1		
37	17H 7580	Spring-cup filler	1		
38	17H 7540	Filler-piston cup	1		
40	17H 7841	Piston	1		
41	AAA 81	Circlip	1		
	8G 8446	Kit-repair	1		
43	13H 396	Push-rod	1		



Ill. No.	Part No.	DESCRIPTION	Qty.	Change Point	Remarks
<b>MASTER CYLINDER AND PEDALS—continued</b>					
	GMC 106	CYLINDER ASSEMBLY—BRAKE MASTER	1		] 1000 & 1001
1	17H 6861	Cap—filler	1		
2	27H 7751	Spring—piston return	1		
3	17H 7554	Retainer—spring	1		
4	17H 7560	Circlip	1		
5	AXE 759	Piston	1		
6	37H 2769	Push-rod	1		
7	31G 840	Gasket—master cylinder	1		
	8G 8689	Kit—repair	1		
8	FNZ 505	Nut	2		
9	LWZ 405	Washer—spring	2		
10	BHA 4661	Tank (plastic)—fluid	1		
11	BHA 4660	Clip—locking	1		
12	BCA 4964	Ring—sealing—fluid reservoir	1		
	37H 2768	CYLINDER ASSEMBLY—BRAKE MASTER	1		] 1300
13	37H 2763	Spring—piston return	1		
14	27H 8442	Pin—link retaining	1		
15	27H 8453	Body—trap valve	2		
16	37H 2764	Spring—primary—piston return	1		
6	37H 2769	Push-rod	1		
7	31G 840	Gasket—master cylinder	1		
	18G 8638	Kit—repair	1		



Ill. No.	Part No.	DESCRIPTION	Qty.	Change Point	Remarks
<b>MASTER CYLINDER AND PEDALS—continued</b>					
1	21A 2467	Bracket—brake pedal	1		] Minimatic
2	AXE 418	Screw—bracket	2		
3	WL 600051	Washer—spring	2		
4	AXE 462	Pedal—brake	1		
5	2A 3034	Bush—pedal	2		
6	31G 398	Spring—pedal return	1		
7	AXE 417	Pin—clevis	1		
8	LNZ 205	Nut—pedal shaft	1		
9	2A 5880	Shaft—pedal	1		
10	31G 397	Piece—distance	1		
11	2A 5865	Pad—pedal (rubber)	1		
12	FNZ 506	Screw—blanking plate	2		
13	LWZ 405	Washer—spring	2		
14	31G 396	Plate—blanking	1		
15	31G 279	Gasket—blanking plate	1		
16	AXE 3	Plate—adaptor	1		
17	ALA 6598	Gasket—adaptor plate	1		
12	FNZ 506	Screw—master cylinder to bracket	2		
13	LWZ 405	Washer—spring	2		
21	31G 840	Gasket—master cylinder	1		
	GMC 106	CYLINDER ASSEMBLY—BRAKE MASTER	1		
22	17H 6861	Cap—filler—master cylinder	1		
24	27H 7751	Spring—return	1		
25	17H 7554	Retainer—spring	1		
28	AXE	Piston	1		
30	17H 7560	Circlip	1		
	8G 8689	KIT—REPAIR—BRAKE MASTER CYLINDER	1		
31	37H 2769	Push-rod	1		
32	BHA 4661	Tank (plastic)—fluid	1		
33	BHA 4660	Clip—locking	1		
34	BCA 4964	Ring—sealing—fluid reservoir	1		