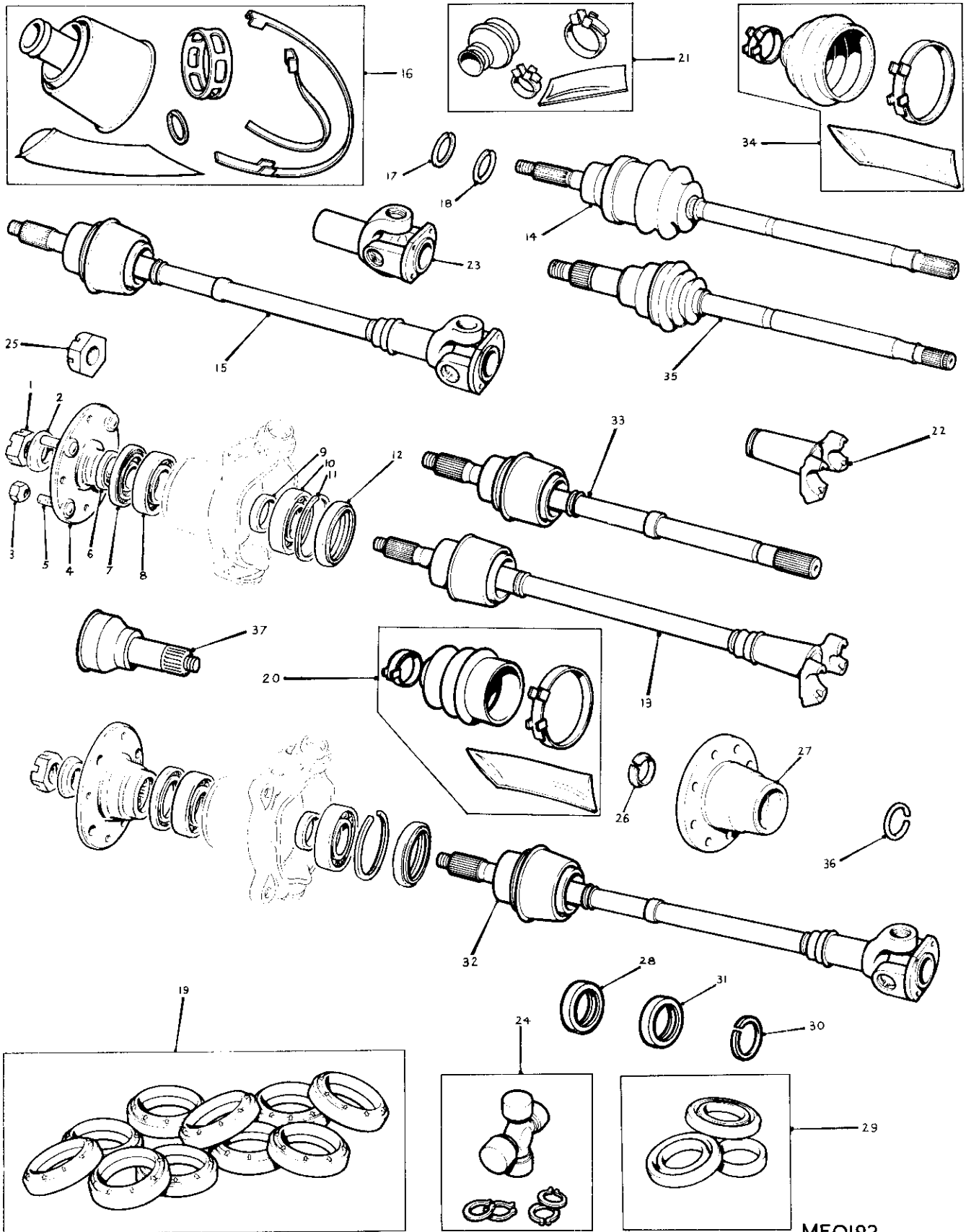


MEO192

Ill. No.	Part No.	DESCRIPTION	Qty.	Change Point	REMARKS
DRIVE SHAFTS					
1	21A 79	Nut—drive shaft	2		1000, 1001 & Minimatic
2	2A 7323	Washer	2		
3	AXE 333	Nut—wheel	8		
4	21A 231	Flange—driving	2		
5	21A 2064	Stud—wheel	8		
6	2A 4295	Distance piece	2		
7	GHS 101	Seal—outer	2		
8	GHB 113	Bearing—wheel	2		
9	21A 233	Ring—distance	2		
10	GHB 113	Bearing—wheel	2		
11	2A 4361	Spacer—oil seal	2		
12	GHS 173	Seal—oil—hub	2		
13	21A 1760	Shaft—drive—RH	1		
	21A 1761	Shaft—drive—LH	1		
14	22A 1961	SHAFT ASSEMBLY—DRIVE—RH	1		Offset sphere
	22A 1960	SHAFT ASSEMBLY—DRIVE—LH	1		
15	21A 1852	SHAFT ASSEMBLY—DRIVE—RH	1		Minimatic
	21A 1854	SHAFT ASSEMBLY—DRIVE—LH	1		
16	18G 8075	Kit—repair—standard cage	2		1000 & 1001
16	18G 8076	Kit—repair—.254mm (.010") O/S	2		
16	18G 8077	Kit—repair—.102mm (.004") O/S	2		
17	17H 8596	Circlip—inner	4		
18	17H 8597	Circlip—outer	2		
19	8G 2697	Kit—oil seal and flinger	1		
20	18G 9027	Kit—outer—boot	2		
	AKF 1457	Grease	2		
21	18G 9029	Kit—inner—boot	2		
	97H 2611	Grease	2		
22	21A 1696	Flange	2		Pre-offset sphere
23	27H 7880	JOINT ASSEMBLY—SLIDING	1		Minimatic
24	GUJ 101	Kit—journal	1		



MEOI92

Ill. No.	Part No.	DESCRIPTION	Qty.	Change Point	REMARKS
DRIVE SHAFTS--continued					
25	BTA 249	Nut--driving flange	2		<div style="display: flex; align-items: center; justify-content: center;"> <div style="border-left: 1px solid black; border-right: 1px solid black; height: 100%; margin-right: 10px;"></div> <div style="text-align: center;"> <p>Pre- offset sphere</p> <p style="font-size: 2em;">1300</p> </div> </div>
26	BTA 243	Collar--outer	2		
27	21A 1270	Flange--driving	2		
28	GHS 101	Seal--outer	1		
29	GHB 143	Kit--bearing and distance ring	2		
30	21A 1307	Spacer	2		
31	GHS 173	Seal--inner	2		
32	21A 1857	SHAFT ASSEMBLY--DRIVE--RH	1		
	21A 1858	SHAFT ASSEMBLY--DRIVE--LH	1		
33	27H 7882	SHAFT AND BELL JOINT ASSEMBLY--RH	1		
	27H 7881	SHAFT AND BELL JOINT ASSEMBLY--LH	1		
34	18G 9028	Kit--boot--outer	1		
23	27H 7880	JOINT ASSEMBLY--SLIDING	1		
24	GUJ 101	Kit--journal	1		
21	18G 9029	Kit--inner--boot	1		
35	22A 1963	SHAFT ASSEMBLY--DRIVE--RH	1		
	22A 1962	SHAFT ASSEMBLY--DRIVE--LH	1		
36	22G 2009	Circlip	2		
37	27H 7567	Bell and joint	1		
34	18G 9028	Kit--boot--outer	1		
18	17H 8597	Circlip--outer	1		
17	17H 8596	Circlip--inner	1		
16	18G 8175	Kit--repair--(STD)	1		
16	18G 8176	Kit--repair--.254mm (.010") O/S	1		
	AKF 1457	Grease	1		